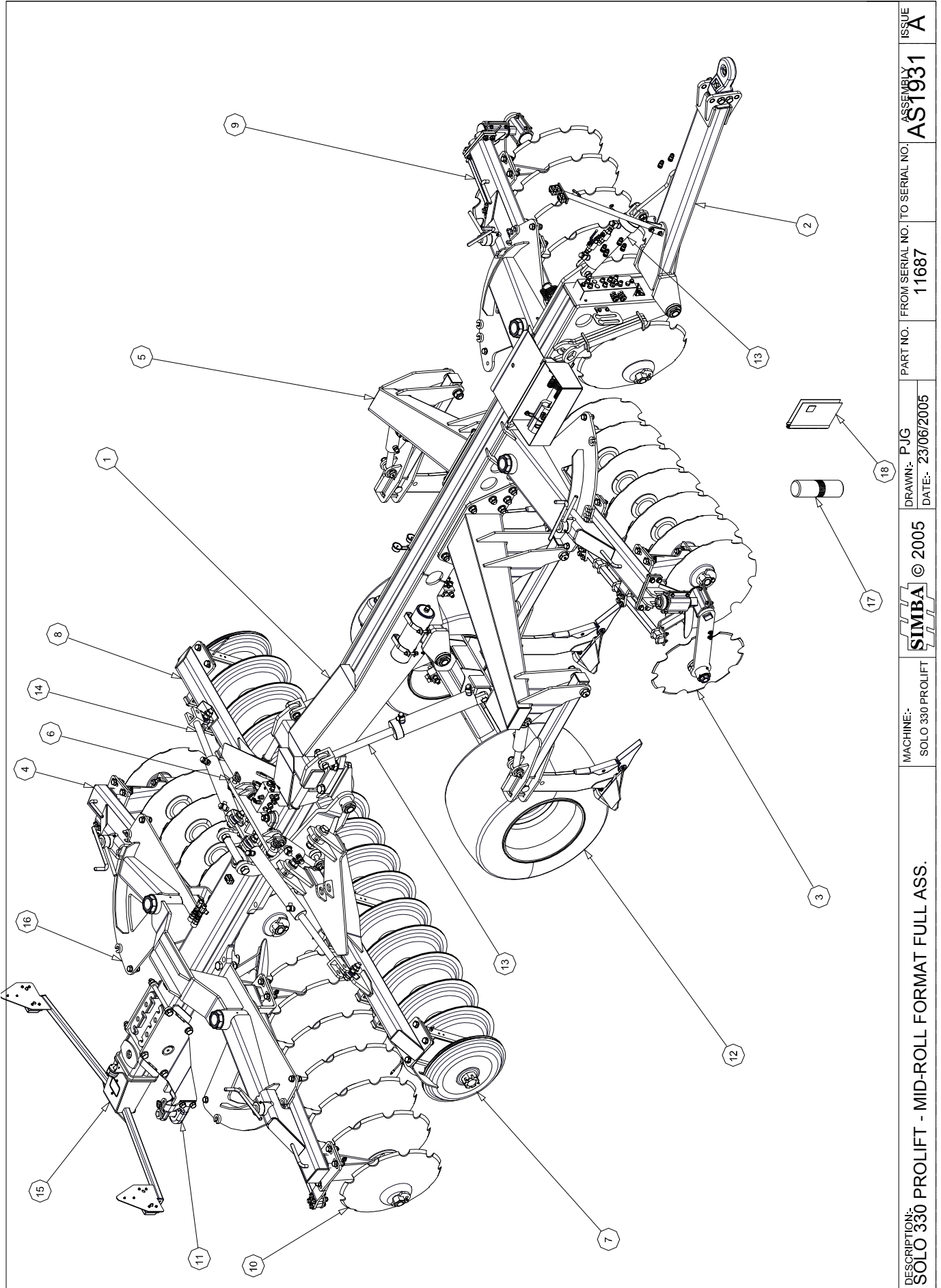



7. Parts & Assembly

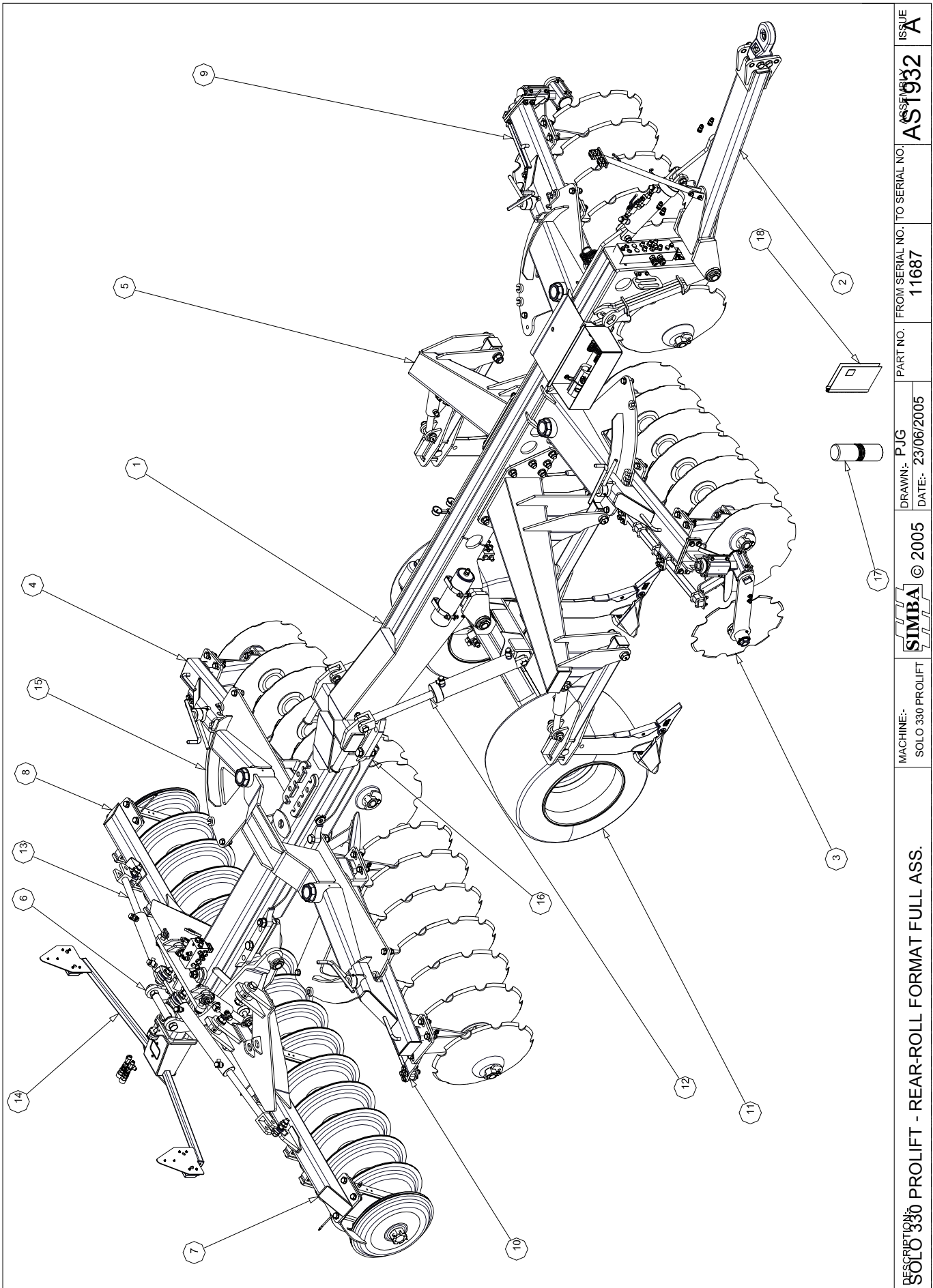
Table of contents

General Assembly	46	Double Disc Roll	122
330 Pro-Lift Mid-Roll Full Assembly	46	Roll Carriage Assembly	122
330 Pro-Lift Rear-Roll Full Assembly	48	330 RH Roll Wing Assembly	124
330 ST - 5 Tine Mid-Roll Full Assembly	50	330 LH Roll Wing Assembly	126
330 ST - 7 Tine Mid-Roll Full Assembly	52	380 RH Roll Wing Assembly	128
330 ST - 7 Tine Rear-Roll Full Assembly ..	54	380 LH Roll Wing Assembly	130
380 ST - 9 Tine Mid-Roll Full Assembly	56	Double Disc Axle Assembly 8 Rings	132
380 ST - 9 Tine Rear-Roll Full Assembly ..	58	Double Disc Axle Assembly 9 Rings	134
Chassis Assembly	60	Double Disc Pillar Assembly	136
Drawbar Assembly	62	Hydraulics	138
Rear Drawbar Assembly	64	Lift Circuit Components	138
Lift Axle Assembly	66	Lift Circuit	140
Bottom Axle Assembly	68	Wing Circuit Components	142
Light Mounting Assembly	70	Wing Circuit	144
Chassis Support Assembly	72	Pro-Lift Tine Circuit Components	146
Disc Gangs & Axles	74	Pro-Lift Tine Circuit	148
330 Front RH Disc Gang Assembly	74		
330 Front LH Disc Gang Assembly	76		
380 Front RH Disc Gang Assembly	78		
380 Front LH Disc Gang Assembly	80		
Rear Gang Carrier Assembly	82		
330 Rear RH Disc Gang Assembly	84		
330 Rear LH Disc Gang Assembly	86		
380 Rear RH Disc Gang Assembly	88		
380 Rear LH Disc Gang Assembly	90		
Coulter Coverer RH Assembly	92		
Coulter Coverer LH Assembly	94		
7 Blade Front Disc Axle	96		
8 Blade Front Disc Axle	98		
7 Blade Rear Disc Axle	100		
8 Blade Rear Disc Axle	102		
Series 2 Bearing Assembly	104		
Pro-Lift Tines	106		
Pro-Lift Tine Beam Assembly	106		
Pro-Lift Tine Arm Assembly	108		
Pro-Lift Tine Assembly	110		
Terra-Grip Tines	112		
330 ST - 5 Tine Frame Assembly	112		
330 ST - 7 Tine Frame Assembly	114		
380 ST - 9 Tine Frame Assembly	116		
Terra-Grip Centre Tine Assembly	118		
Terra-Grip Tine Assembly	120		



DESCRIPTION: SOLO 330 PROLIFT - MID-ROLL FORMAT FULL ASS.	MACHINE: SOLO 330 PROLIFT	© 2005	DRAWN: P J G DATE: 23/06/2005	PART NO.	FROM SERIAL NO. 11687 TO SERIAL NO.	ASSEMBLY AS1931	ISSUE A
--	------------------------------	--------	----------------------------------	----------	-------------------------------------	--------------------	------------

AS1931		SOLO 330 PROLIFT - MID-ROLL FORMAT FULL ASSEMBLY		
ITEM	PART NO	DESCRIPTION	QTY	COMMENTS
1	AS1940	CHASSIS ASSEMBLY (2005)	1	
2	AS1941	DRAWBAR ASSEMBLY (2005)	1	
3	AS1846	FRONT GANG ASSEMBLY RH	1	
4	AS1845	REAR GANG ASSEMBLY LH	1	
5	AS1928	TINE BEAM ASSEMBLY	1	
6	AS1884	ROLL CARRIAGE ASSEMBLY	1	
7	AS1869	DD ROLL RH WING ASSEMBLY	1	
8	AS1883	DD ROLL LH WING ASSEMBLY	1	
9	AS1848	FRONT GANG ASSEMBLY LH	1	
10	AS1844	REAR GANG ASSEMBLY RH	1	
11	AS1686	REAR DRAWBAR ASSEMBLY	1	MID ROLL FORMAT ONLY
12	AS1942	LIFT AXLE ASSEMBLY	1	
13	AS1935	HYDRAULIC LIFT CIRCUIT	1	
14	AS1948	FOLDING ROLL HYDRAULIC CIRCUIT	1	
15	AS2081	LIGHT MOUNT ASSEMBLY	1	
16	AS2087	REAR GANG CARRIER 2005	1	
17	P13013	MANUAL CASE Ø100	1	
18	P13307	MANUAL - SOLO 330/380 2005	1	
19				
20				
21				
22				
23				
24				
25				
26				
27				
28				
29				
30				
31				
32				
33				
34				
35				
36				
37				
38				
39				
40				
41				
42				
43				
44				
45				



DESCRIPTION: SOLO 330 PROLIFT - REAR-ROLL FORMAT FULL ASS.


MACHINE: SOLO 330 PROLIFT

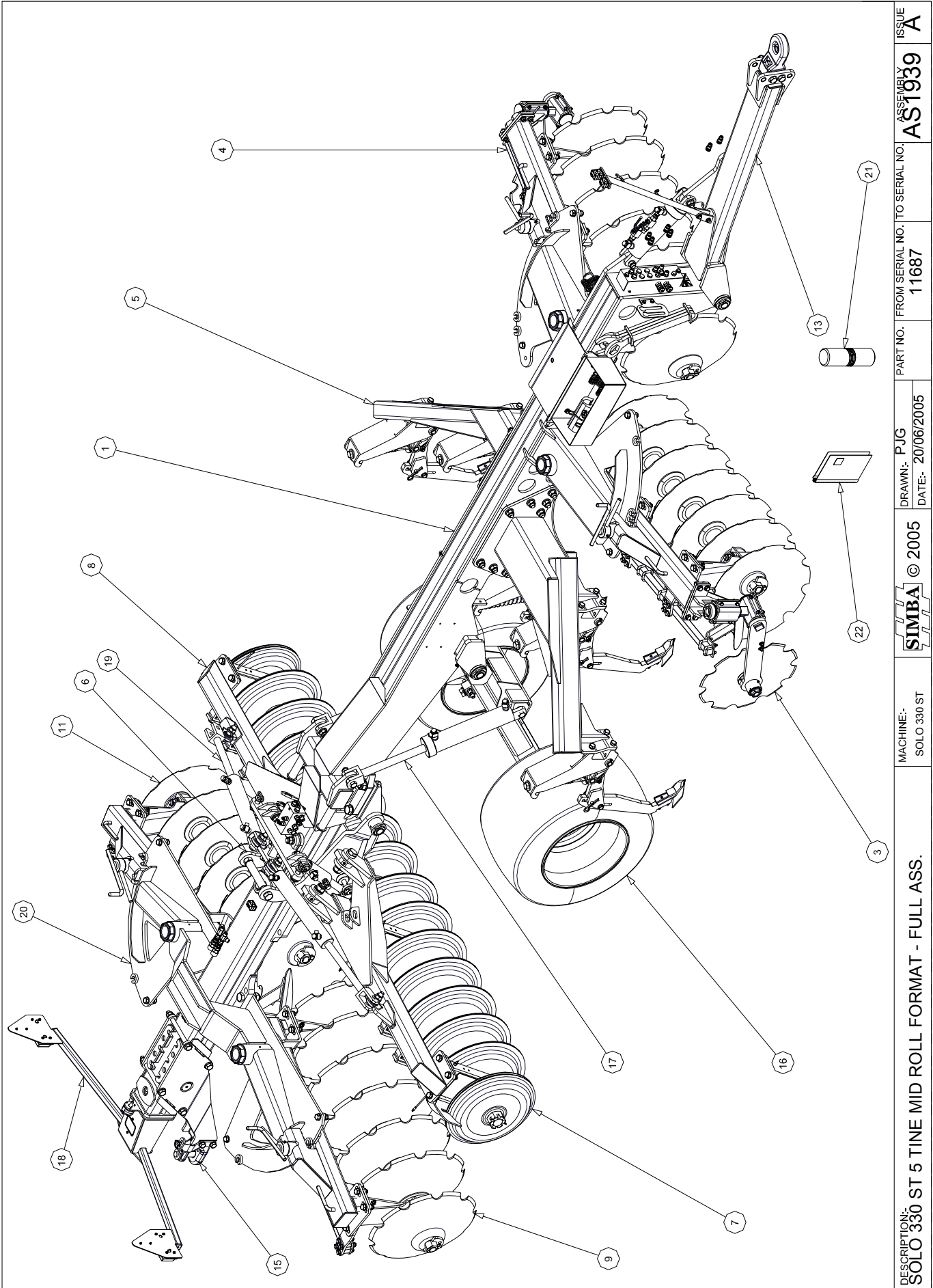
SIMBA © 2005

DRAWN: PJG
DATE: 23/06/2005


PART NO. FROM SERIAL NO. TO SERIAL NO.
11687

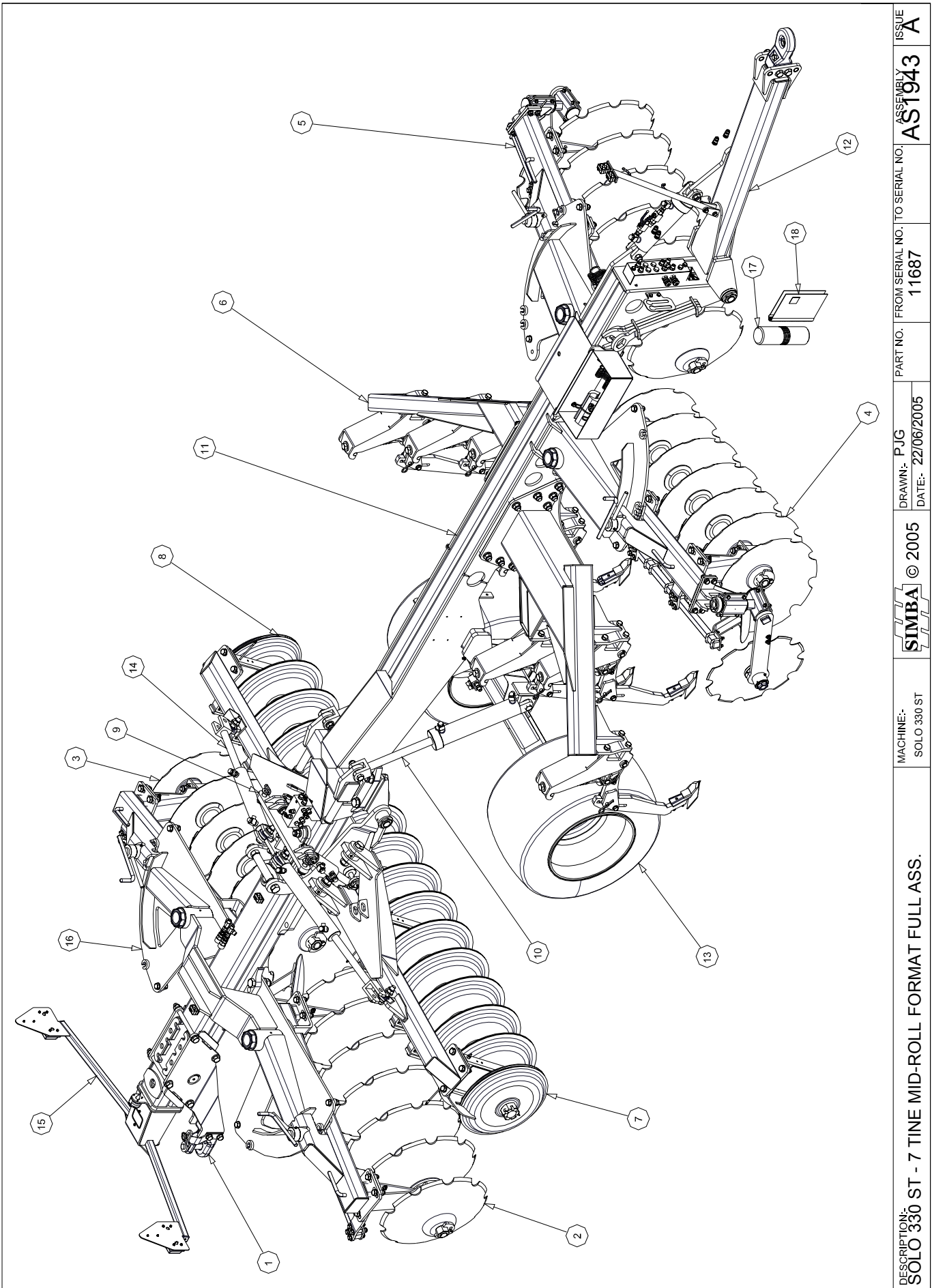
ASSEMBLY AS1932
ISSUE A

AS1932		SOLO 330 PROLIFT - REAR-ROLL FORMAT FULL ASSEMBLY		
ITEM	PART NO	DESCRIPTION	QTY	COMMENTS
1	AS1940	CHASSIS ASSEMBLY (2005)	1	
2	AS1941	DRAWBAR ASSEMBLY (2005)	1	
3	AS1846	FRONT GANG ASSEMBLY RH	1	
4	AS1845	REAR GANG ASSEMBLY LH	1	
5	AS1928	TINE BEAM ASSEMBLY	1	
6	AS1884	ROLL CARRIAGE ASSEMBLY	1	
7	AS1869	DD ROLL RH WING ASSEMBLY	1	
8	AS1883	DD ROLL LH WING ASSEMBLY	1	
9	AS1848	FRONT GANG ASSEMBLY LH	1	
10	AS1844	REAR GANG ASSEMBLY RH	1	
11	AS1942	LIFT AXLE ASSEMBLY	1	
12	AS1935	HYDRAULIC LIFT CIRCUIT	1	
13	AS1948	FOLDING ROLL HYDRAULIC CIRCUIT	1	
14	AS2081	LIGHT MOUNT ASSEMBLY	1	
15	AS2087	REAR GANG CARRIER 2005	1	
16	AS1694	CHASSIS SUPPORT	1	"R" FORMAT ONLY
17	P13013	MANUAL CASE Ø100	1	
18	P13307	MANUAL - SOLO 330/380 2005	1	
19				
20				
21				
22				
23				
24				
25				
26				
27				
28				
29				
30				
31				
32				
33				
34				
35				
36				
37				
38				
39				
40				
41				
42				
43				
44				
45				
46				
47				
48				
49				
50				




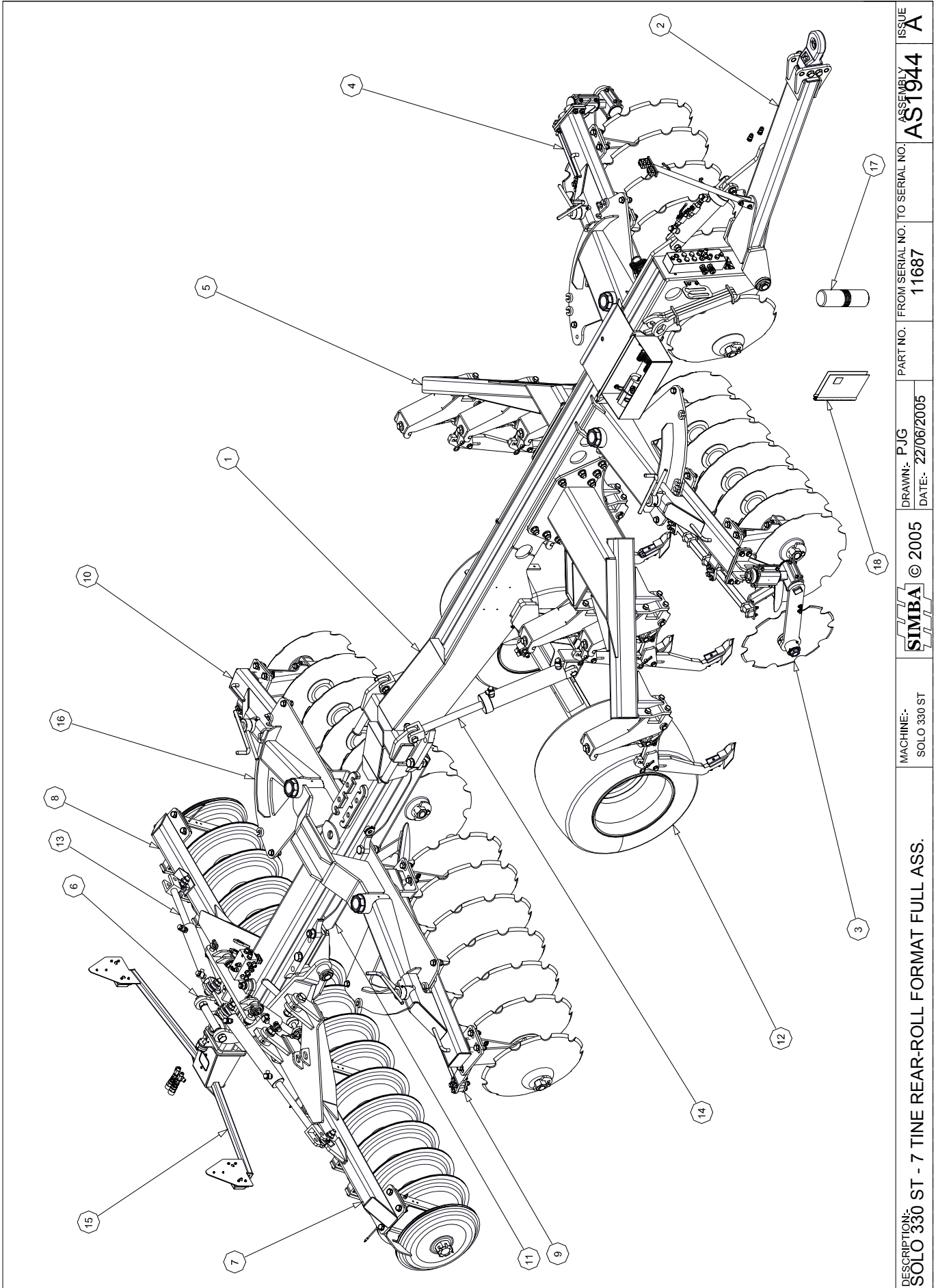
DESCRIPTION: SOLO 330 ST 5 TINE MID ROLL FORMAT - FULL ASS.	MACHINE: SOLO 330 ST	© 2005	DRAWN: PJG	FROM SERIAL NO. 11687	TO SERIAL NO.	ASSEMBLY AS1939	ISSUE A
			DATE: 20/06/2005	PART NO.	11687	FROM SERIAL NO.	TO SERIAL NO.

AS1939		SOLO 330 ST - 5 TINE MID-ROLL FORMAT FULL ASSEMBLY		
ITEM	PART NO	DESCRIPTION	QTY	COMMENTS
1	AS1940	CHASSIS ASSEMBLY (2005)	1	
2	AS1846	FRONT GANG ASSEMBLY RH	1	
3	AS1848	FRONT GANG ASSEMBLY LH	1	
4	AS1937	5 TINE FRAME ASSEMBLY	1	
5	AS1884	ROLL CARRIAGE ASSEMBLY	1	
6	AS1869	DD ROLL RH WING ASSEMBLY	1	
7	AS1883	DD ROLL LH WING ASSEMBLY	1	
8	AS1844	REAR GANG ASSEMBLY RH	1	
9	AS1845	REAR GANG ASSEMBLY LH	1	
10	AS1941	DRAWBAR ASSEMBLY (2005)	1	
11	AS1686	REAR DRAWBAR ASSEMBLY	1	MID ROLL ONLY
12	AS1942	LIFT AXLE ASSEMBLY	1	
13	AS1935	HYDRAULIC LIFT CIRCUIT	1	
14	AS2081	LIGHT MOUNT ASSEMBLY	1	
15	AS1948	FOLDING ROLL HYDRAULIC CIRCUIT	1	
16	AS2087	REAR GANG CARRIER 2005	1	
17	P13013	MANUAL CASE Ø100	1	
18	P13307	MANUAL - SOLO 330/380 2005	1	
19				
20				
21				
22				
23				
24				
25				
26				
27				
28				
29				
30				
31				
32				
33				
34				
35				
36				
37				
38				
39				
40				
41				
42				
43				
44				
45				
46				
47				
48				
49				
50				




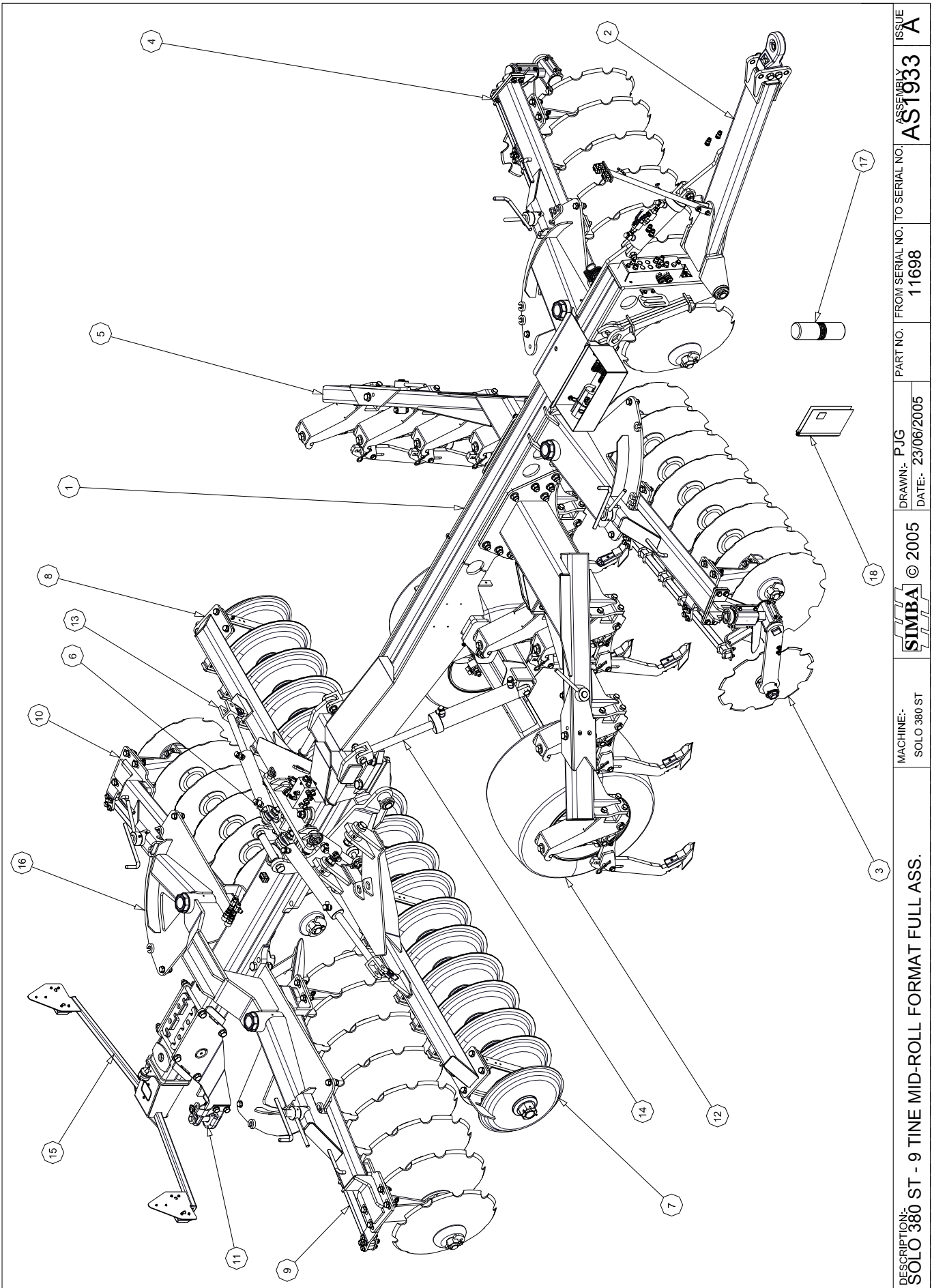
DESCRIPTION: SOLO 330 ST - 7 TINE MID-ROLL FORMAT FULL ASS.	MACHINE: SOLO 330 ST	© 2005	DRAWN: PJG DATE: 22/06/2005	PART NO. 11687	FROM SERIAL NO. TO SERIAL NO. 11687	ASSEMBLY AS1943	ISSUE A

AS1943		SOLO 330 ST 7 TINE MID-ROLL FORMAT FULL ASSEMBLY		
ITEM	PART NO	DESCRIPTION	QTY	COMMENTS
1	AS1686	REAR DRAWBAR ASSEMBLY	1	
2	AS1844	REAR GANG ASSEMBLY RH	1	
3	AS1845	REAR GANG ASSEMBLY LH	1	
4	AS1846	FRONT GANG ASSEMBLY RH	1	
5	AS1848	FRONT GANG ASSEMBLY LH	1	
6	AS1849	SOLO 330 - ST TINE BEAM ASSEMBLY 7	1	
7	AS1869	DD ROLL RH WING ASSEMBLY	1	
8	AS1883	DD ROLL LH WING ASSEMBLY	1	
9	AS1884	ROLL CARRIAGE ASSEMBLY	1	
10	AS1935	HYDRAULIC LIFT CIRCUIT	1	
11	AS1940	CHASSIS ASSEMBLY (2005)	1	
12	AS1941	DRAWBAR ASSEMBLY (2005)	1	
13	AS1942	LIFT AXLE ASSEMBLY	1	
14	AS1948	FOLDING ROLL HYDRAULIC CIRCUIT	1	
15	AS2081	LIGHT MOUNT ASSEMBLY	1	
16	AS2087	REAR GANG CARRIER 2005	1	
17	P13013	MANUAL CASE Ø100	1	
18	P13307	MANUAL - SOLO 330/380 2005	1	
19				
20				
21				
22				
23				
24				
25				
26				
27				
28				
29				
30				
31				
32				
33				
34				
35				
36				
37				
38				
39				
40				
41				
42				
43				
44				
45				




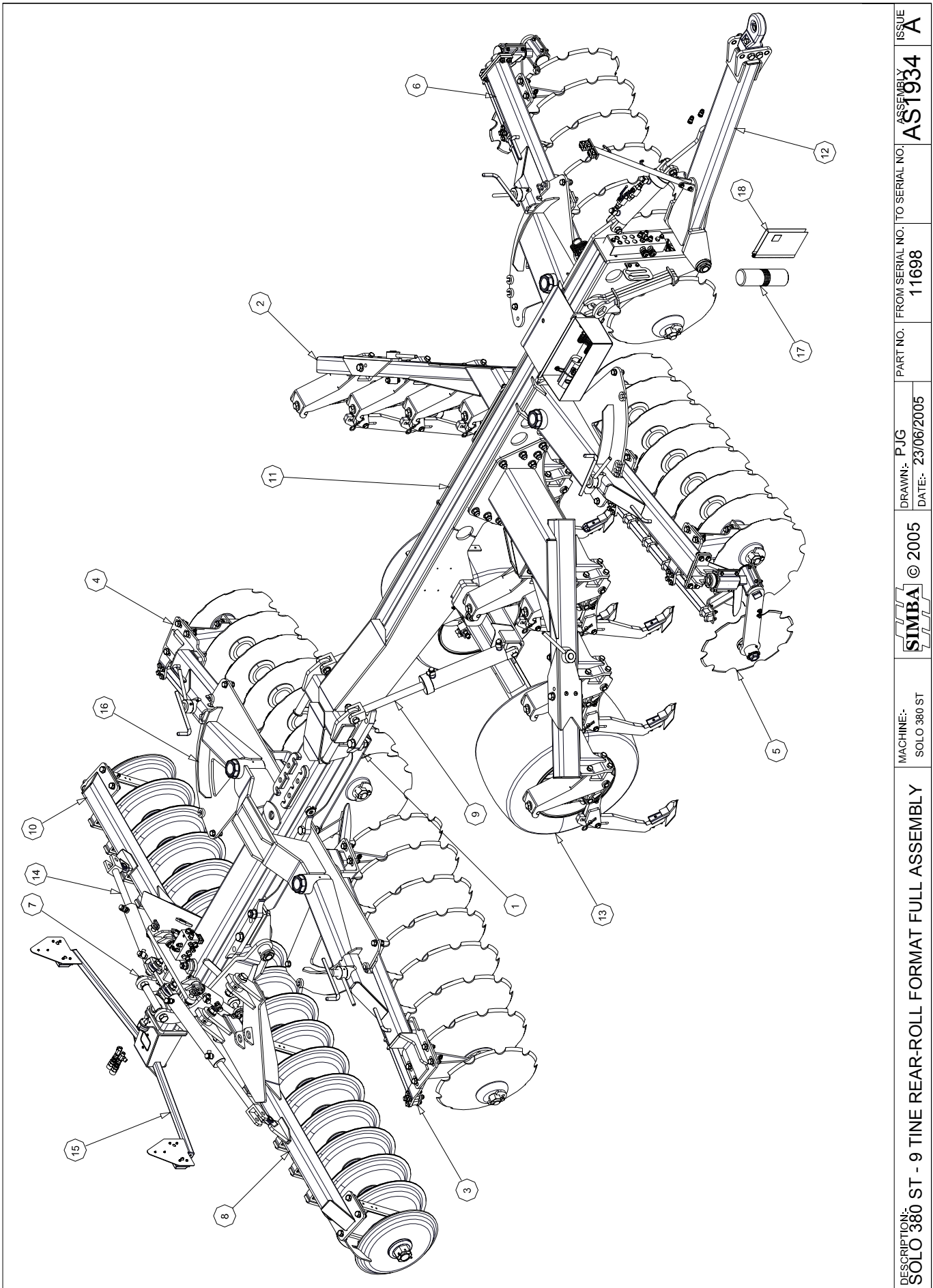
DESCRIPTION: SOLO 330 ST - 7 TINE REAR-ROLL FORMAT FULL ASS.	MACHINE: SOLO 330 ST	© 2005	DRAWN: PJG DATE: 22/06/2005	PART NO.	FROM SERIAL NO. 11687 TO SERIAL NO. 11687	ASSEMBLY AS1944	ISSUE A
---	-------------------------	--------	--------------------------------	----------	---	--------------------	------------

AS1944		SOLO 330 ST - 7 TINE REAR ROLL FORMAT FULL ASSEMBLY		
ITEM	PART NO	DESCRIPTION	QTY	COMMENTS
1	AS1940	CHASSIS ASSEMBLY (2005)	1	
2	AS1941	DRAWBAR ASSEMBLY (2005)	1	
3	AS1846	FRONT GANG ASSEMBLY RH	1	
4	AS1848	FRONT GANG ASSEMBLY LH	1	
5	AS1849	SOLO 330 - ST 7 TINE BEAM ASSEMBLY	1	
6	AS1884	ROLL CARRIAGE ASSEMBLY	1	
7	AS1869	DD ROLL RH WING ASSEMBLY	1	
8	AS1883	DD ROLL LH WING ASSEMBLY	1	
9	AS1844	REAR GANG ASSEMBLY RH	1	
10	AS1845	REAR GANG ASSEMBLY LH	1	
11	AS1694	CHASSIS SUPPORT	1	"R" FORMAT ONLY
12	AS1942	LIFT AXLE ASSEMBLY	1	
13	AS1948	FOLDING ROLL HYDRAULIC CIRCUIT	1	
14	AS1935	HYDRAULIC LIFT CIRCUIT	1	
15	AS2081	LIGHT MOUNT ASSEMBLY	1	
16	AS2087	REAR GANG CARRIER 2005	1	
17	P13013	MANUAL CASE Ø100	1	
18	P13307	MANUAL - SOLO 330/380 2005	1	
19				
20				
21				
22				
23				
24				
25				
26				
27				
28				
29				
30				
31				
32				
33				
34				
35				
36				
37				
38				
39				
40				
41				
42				
43				
44				
45				




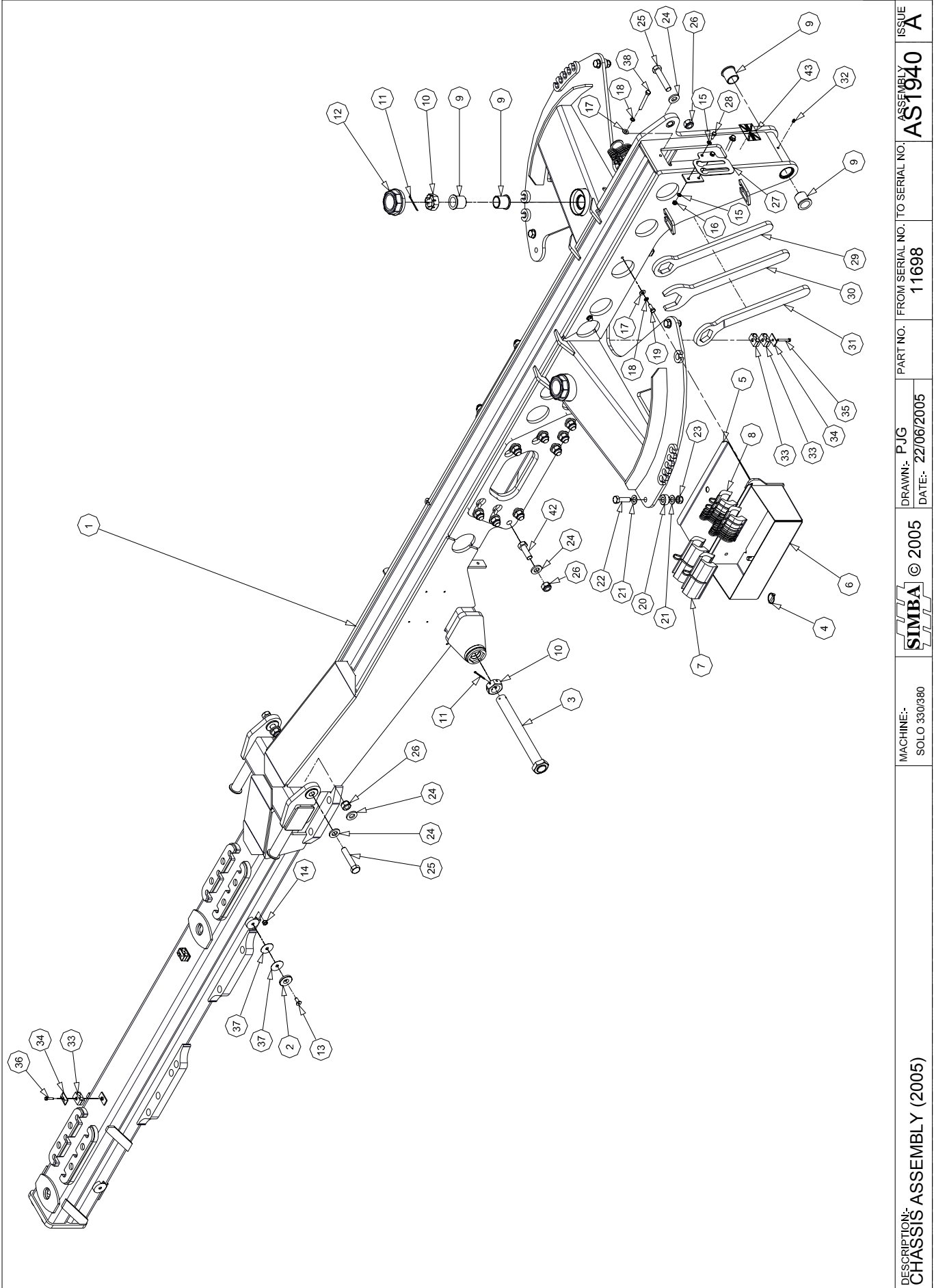
DESCRIPTION: SOLO 380 ST - 9 TINE MID-ROLL FORMAT FULL ASS.	MACHINE: SOLO 380 ST	© 2005	DRAWN: PJG DATE: 23/06/2005	PART NO. 11698	FROM SERIAL NO. TO SERIAL NO. 11698	ASSEMBLY AS1933	ISSUE A

AS1933		SOLO 380 ST - 9 TINE MID-ROLL FORMAT FULL ASSEMBLY		
ITEM	PART NO	DESCRIPTION	QTY	COMMENTS
1	AS1940	CHASSIS ASSEMBLY (2005)	1	
2	AS1941	DRAWBAR ASSEMBLY (2005)	1	
3	AS1864	FRONT GANG ASSEMBLY RH	1	
4	AS1866	FRONT GANG ASSEMBLY LH	1	
5	AS1847	SOLO 380 ST 9 TINE FRAME ASSEMBLY	1	
6	AS1884	ROLL CARRIAGE ASSEMBLY	1	
7	AS1885	DD ROLL ASSEMBLY RH	1	
8	AS1936	DD ROLL FRAME ASSEMBLY LH	1	
9	AS1861	REAR GANG ASSEMBLY RH	1	
10	AS1863	REAR GANG ASSEMBLY LH	1	
11	AS1686	REAR DRAWBAR ASSEMBLY	1	MID ROLL ONLY
12	AS1942	LIFT AXLE ASSEMBLY	1	
13	AS1948	FOLDING ROLL HYDRAULIC CIRCUIT	1	
14	AS1935	HYDRAULIC LIFT CIRCUIT	1	
15	AS2081	LIGHT MOUNT ASSEMBLY	1	
16	AS2087	REAR GANG CARRIER 2005	1	
17	P13013	MANUAL CASE Ø100	1	
18	P13307	MANUAL - SOLO 330/380 2005	1	
19				
20				
21				
22				
23				
24				
25				
26				
27				
28				
29				
30				
31				
32				
33				
34				
35				
36				
37				
38				
39				
40				
41				
42				
43				
44				
45				
46				
47				
48				
49				
50				




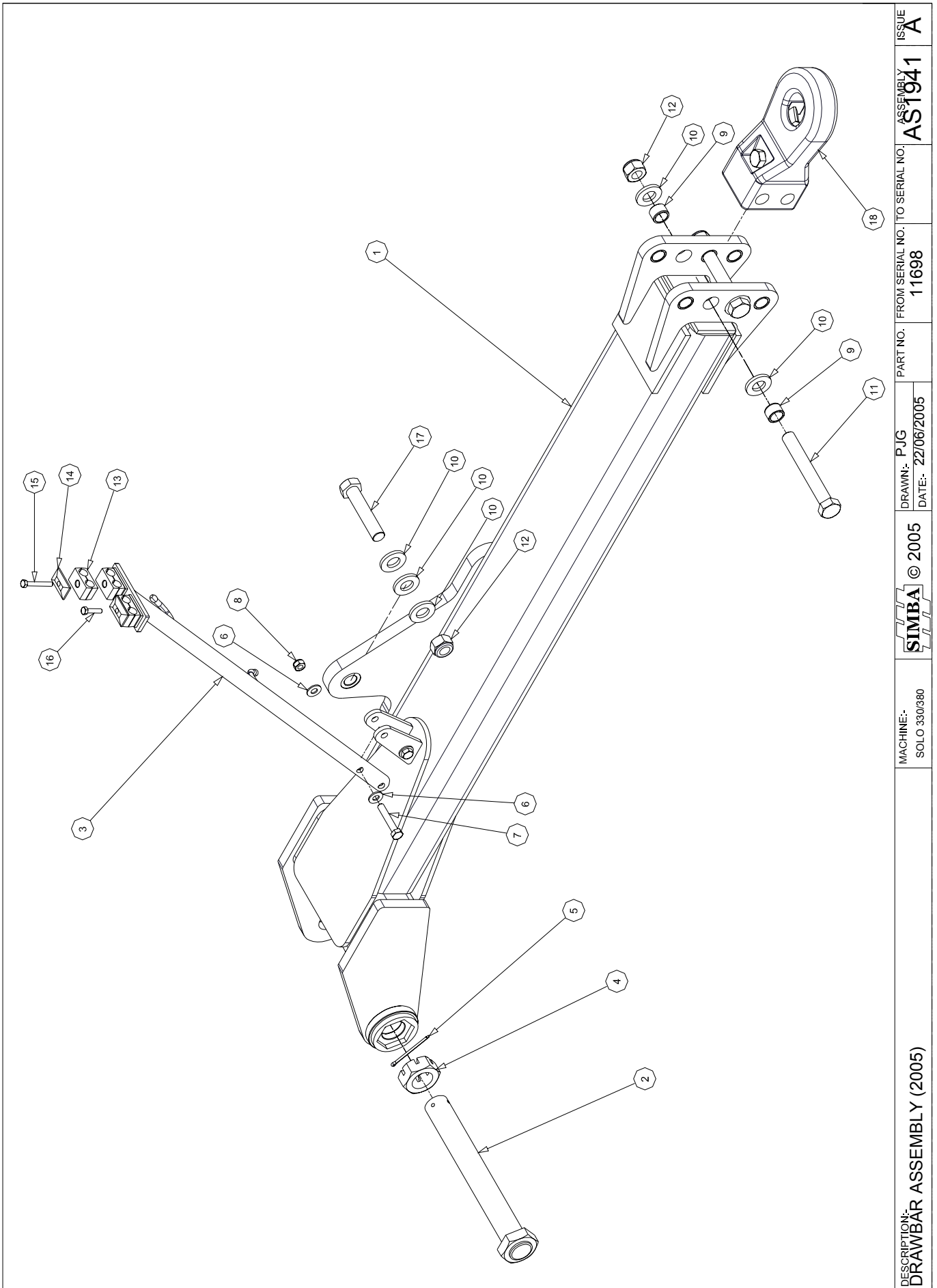
DESCRIPTION: SOLO 380 ST - 9 TINE REAR-ROLL FORMAT FULL ASSEMBLY	MACHINE: SOLO 380 ST	© 2005	DRAWN: PJG DATE: 23/06/2005	PART NO. 11698 FROM SERIAL NO. 11698	ASSEMBLY NO. AS1934 TO SERIAL NO. 11698	ISSUE A

AS1934		SOLO 380 ST - 9 TINE REAR-ROLL FORMAT FULL ASSEMBLY		
ITEM	PART NO	DESCRIPTION	QTY	COMMENTS
1	AS1694	CHASSIS SUPPORT	1	"R" FORMAT ONLY
2	AS1847	SOLO 380 ST 9 TINE FRAME ASSEMBLY	1	
3	AS1861	REAR GANG ASSEMBLY RH	1	
4	AS1863	REAR GANG ASSEMBLY LH	1	
5	AS1864	FRONT GANG ASSEMBLY RH	1	
6	AS1866	FRONT GANG ASSEMBLY LH	1	
7	AS1884	ROLL CARRIAGE ASSEMBLY	1	
8	AS1885	DD ROLL ASSEMBLY RH	1	
9	AS1935	HYDRAULIC LIFT CIRCUIT	1	
10	AS1936	DD ROLL FRAME ASSEMBLY LH	1	
11	AS1940	CHASSIS ASSEMBLY (2005)	1	
12	AS1941	DRAWBAR ASSEMBLY (2005)	1	
13	AS1942	LIFT AXLE ASSEMBLY	1	
14	AS1948	FOLDING ROLL HYDRAULIC CIRCUIT	1	
15	AS2081	LIGHT MOUNT ASSEMBLY	1	
16	AS2087	REAR GANG CARRIER 2005	1	
17	P13013	MANUAL CASE Ø100	1	
18	P13307	MANUAL - SOLO 330/380 2005	1	
19				
20				
21				
22				
23				
24				
25				
26				
27				
28				
29				
30				
31				
32				
33				
34				
35				
36				
37				
38				
39				
40				
41				
42				
43				
44				
45				
46				
47				
48				
49				
50				



ISSUE A	ASSEMBLY AS1940	FROM SERIAL NO. TO SERIAL NO. 11698	PART NO. 11698	DRAWN: PJG DATE: 22/06/2005	© 2005	MACHINE:- SOLO 330/380	DESCRIPTION:- CHASSIS ASSEMBLY (2005)
-------------------	---------------------------	---	--------------------------	--	--------	---------------------------	--

AS1940		SOLO 330/ 380 CHASSIS ASSEMBLY			
ITEM	PART NO	DESCRIPTION	QTY	COMMENTS	
1	J220110010	CHASSIS - SOLO 330 / 380	1		
2	P10505	SIDE BEARING	2		
3	J220112410	BOLT M45x425	1		
4	P02483	LYNCH PIN CAT 1	1		
5	P09162	TOOLBOX LID	1		
6	P10017	TOOLBOX BODY	1		
7	P11157	SHIM - SILVER 203mm	2		
8	P08802	SHIM KIT 7 PIECE	3		
9	P10005	BUSH Ø65xØ45x5	6		
10	P12770	NUT CASTLE M45x3	3		
11	P02488	PIN SPLIT Ø5x75	3		
12	J972090024	DUST CAP Ø110	2		
13	P10716	SCREW M12x30 GR10.9 CSK	2		
14	P02007	NUT LOCK M12	2		
15	P02600	WASHER FLAT M10	4		
16	P05534	NUT LOCK M10	2		
17	P02601	WASHER FLAT M12	4		
18	P02037	WASHER SPRING M12	4		
19	P10870	BOLT M12x30 GR. 8.8	2		
20	J912202121	BUSH Ø45xØ21x20	4		
21	P02603	WASHER FLAT M20	8		
22	P02654	BOLT M20x65 GR. 8.8	4		
23	P02009	NUT LOCK M20	4		
24	P02604	WASHER FLAT M24 Ø50	23		
25	P12610	BOLT M24x120 GR 10.9 STR	3	STRUCTURAL	
26	P02010	NUT LOCK M24	21		
27	P09092	HOSE STOWAGE PLATE	1		
28	P06651	BOLT M10x25 GR. 8.8	2		
29	P08851	SPANNER 66AF	1		
30	P08853	SPANNER 90AF	1		
31	P08894	SPANNER 66AF BENT	1		
32	P00071	NIPPLE - GREASE	3		
33	P10231	CLAMP STAUFF 3/8" 2 HOSE	6		
34	P09142	CLAMP PLATE 1/4"	4		
35	P04753	BOLT M8x60 GR. 8.8	2		
36	P10096	BOLT M8x35 GR. 8.8	2		
37	P08440	WASHER SHIM 0.5mm	4	Ø50xØ13	
38	P01281	BOLT M12x100 GR. 8.8	2		
39	P12765	BOLT M30x120 GR. 8.8	4		
40	P02011	NUT LOCK M30	4		
41	P02608	WASHER FLAT M30	4		
42	P12792	BOLT M24x70 GR. 8.8	18		
43	J990216260	DECAL - MADE GREAT IN BRITAIN	1		
44					
45					
46					
47					
48					
49					
50					



DESCRIPTION:
DRAWBAR ASSEMBLY (2005)

MACHINE:-
SOLO 330/380


SIMBA © 2005

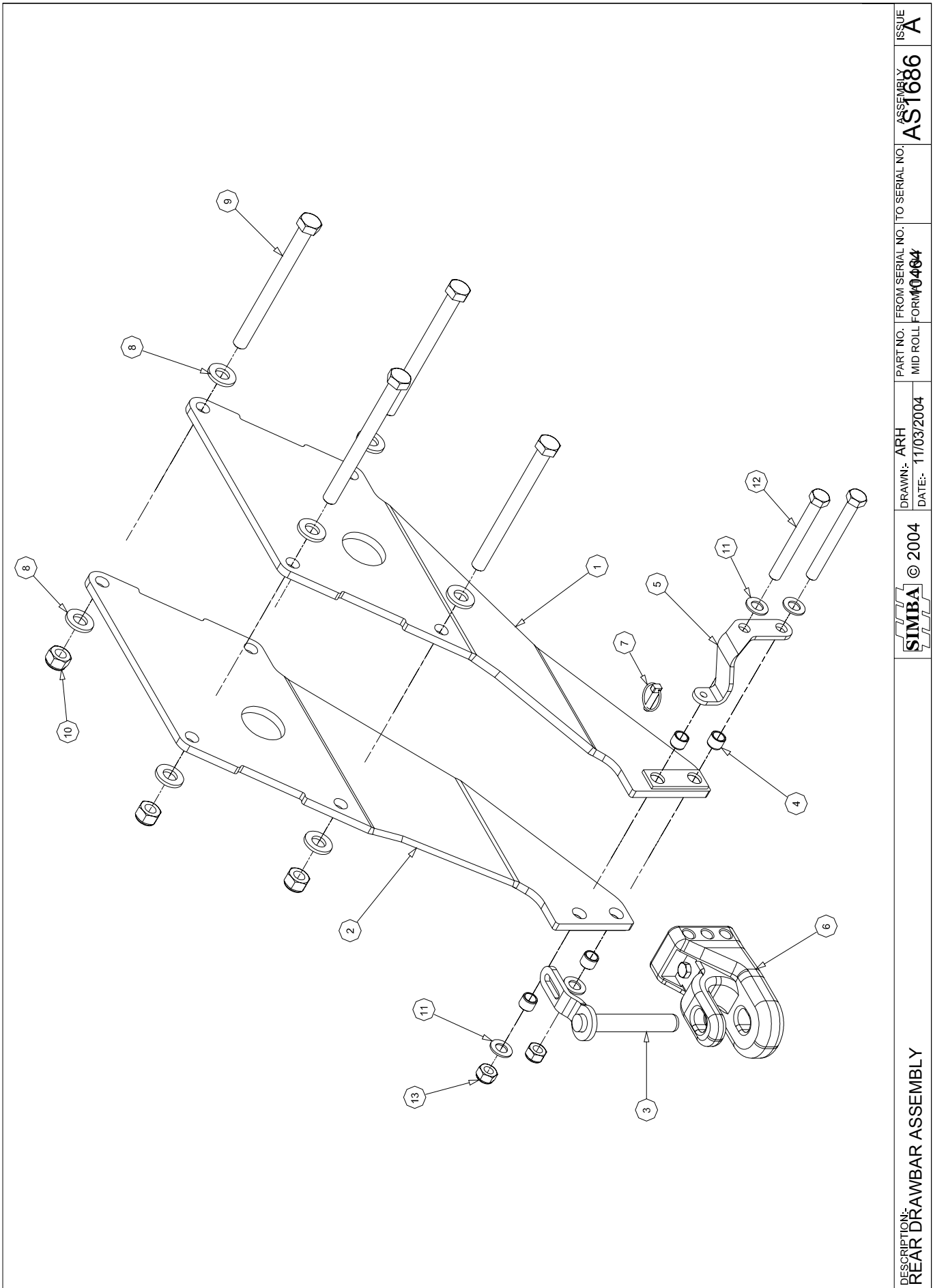
DRAWN: PJG
DATE: 22/06/2005

PART NO. FROM SERIAL NO. TO SERIAL NO.
11698

ASSEMBLY
AS1941

ISSUE
A

AS1941		SOLO 330/ 380 DRAWBAR ASSEMBLY 2005		
ITEM	PART NO	DESCRIPTION	QTY	COMMENTS
1	J220110600	DRAWBAR - SOLO 330 / 380	1	
2	J220112380	BOLT M45x360	1	
3	J220111150	HOSE MAST - SOLO 330	1	
4	P12770	NUT CASTLE M45x3	1	
5	P02488	PIN SPLIT Ø5x75	1	
6	P02601	WASHER FLAT M12	4	
7	P03090	BOLT M12x70 GR. 8.8	2	
8	P02007	NUT LOCK M12	2	
9	J912232420	BUSH Ø31.5xØ24.5x20	8	
10	P02604	WASHER FLAT M24 Ø50	7	
11	P12768	BOLT M24x180 GR12.9	2	
12	P02010	NUT LOCK M24	3	
13	P10231	CLAMP STAUFF 3/8" 2 HOSE	3	
14	P09142	CLAMP PLATE 1/4"	2	
15	P04753	BOLT M8x60 GR. 8.8	1	
16	P10096	BOLT M8x35 GR. 8.8	1	
17	P00771	BOLT M24x120 GR10.9	1	
18	P08999	HITCH - FRONT	1	
19				
20				
21				
22				
23				
24				
25				
26				
27				
28				
29				
30				
31				
32				
33				
34				
35				
36				
37				
38				
39				
40				
41				
42				
43				
44				
45				
46				
47				
48				
49				
50				



DESCRIPTION:
REAR DRAWBAR ASSEMBLY


SIMBA © 2004

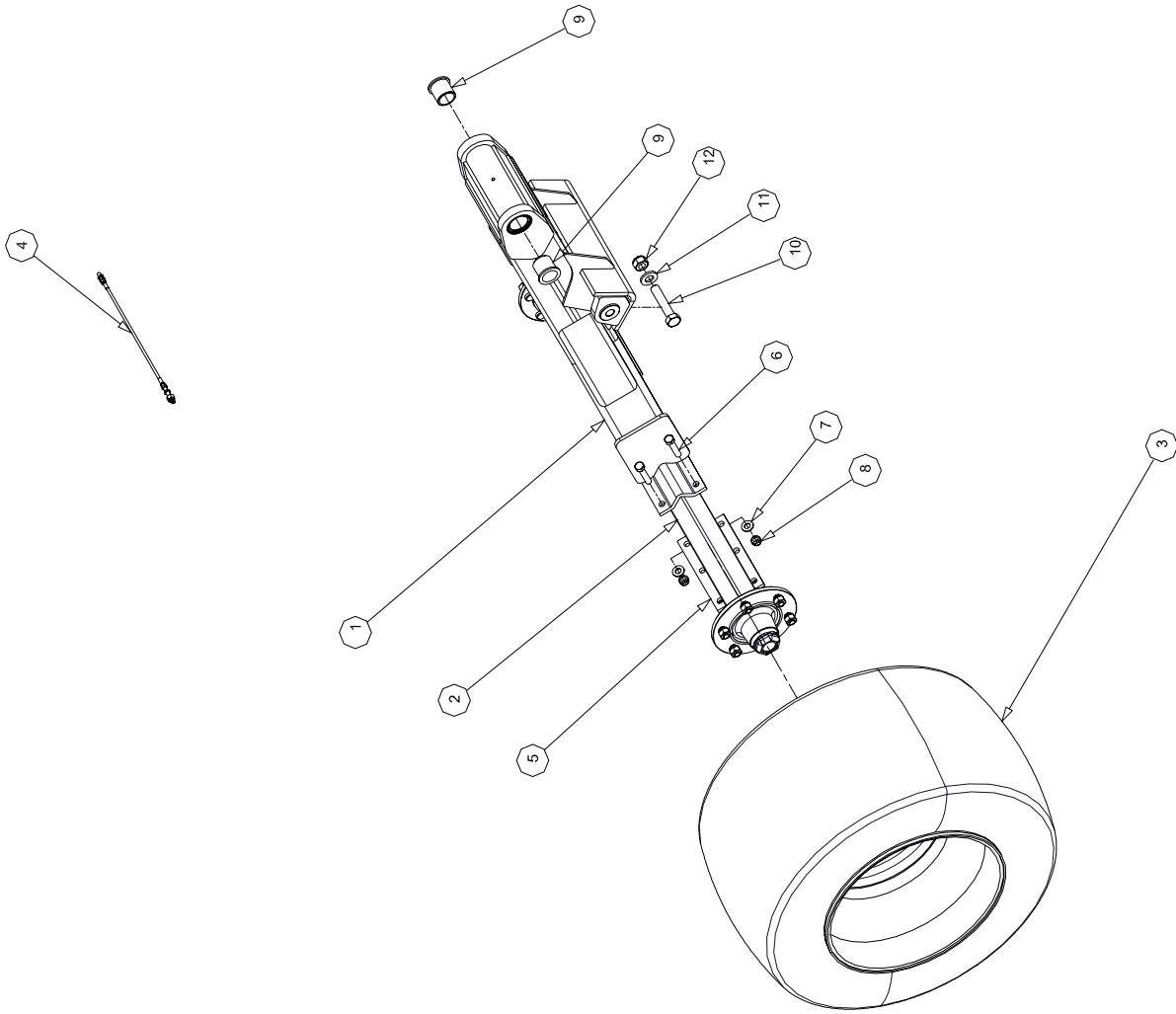
DRAWN: ARH
DATE: 11/03/2004

PART NO. FROM SERIAL NO. TO SERIAL NO.
MID ROLL FORM **40484**

ASSEMBLY
AS1686

ISSUE
A

AS1686		REAR DRAWBAR ASSEMBLY SOLO 330		
ITEM	PART NO	DESCRIPTION	QTY	COMMENTS
1	J220111360	DRAWBAR PLATE RH	1	
2	J220111370	DRAWBAR PLATE LH	1	
3	J220111450	REAR DRAWBAR PIN	1	
4	P03714	BUSH Ø26xØ20.5x20	4	
5	P10588	PIN KEEPER PLATE	1	
6	P09517	HITCH - REAR	1	
7	P02484	LYNCH PIN CAT 2	1	
8	P02604	WASHER FLAT M24 Ø50	8	
9	P02657	BOLT M24x280 GR8.8	4	
10	P02010	NUT LOCK M24	4	
11	P02603	WASHER FLAT M20	4	
12	P12777	BOLT M20x180 GR12.9	2	
13	P02009	NUT LOCK M20	2	
14				
15				
16				
17				
18				
19				
20				
21				
22				
23				
24				
25				
26				
27				
28				
29				
30				
31				
32				
33				
34				
35				
36				
37				
38				
39				
40				
41				
42				
43				
44				
45				
46				
47				
48				
49				
50				



DESCRIPTION:
LIFT AXLE ASSEMBLY

MACHINE:-
SOLO


© 2005

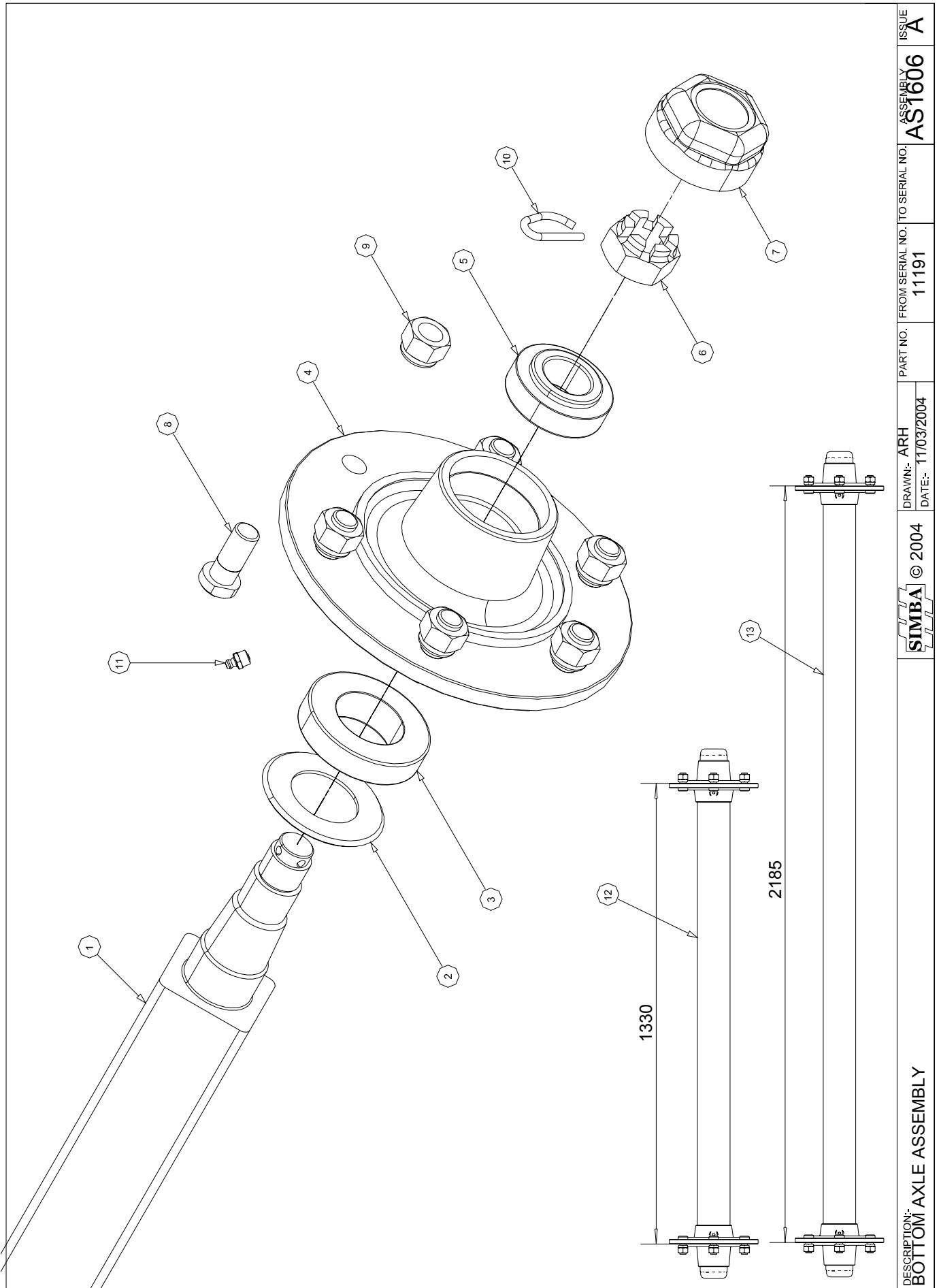
DRAWN:- PJG
DATE:- 11/03/2004

PART NO. FROM SERIAL NO. TO SERIAL NO.
11698


ASSEMBLY
AS1942

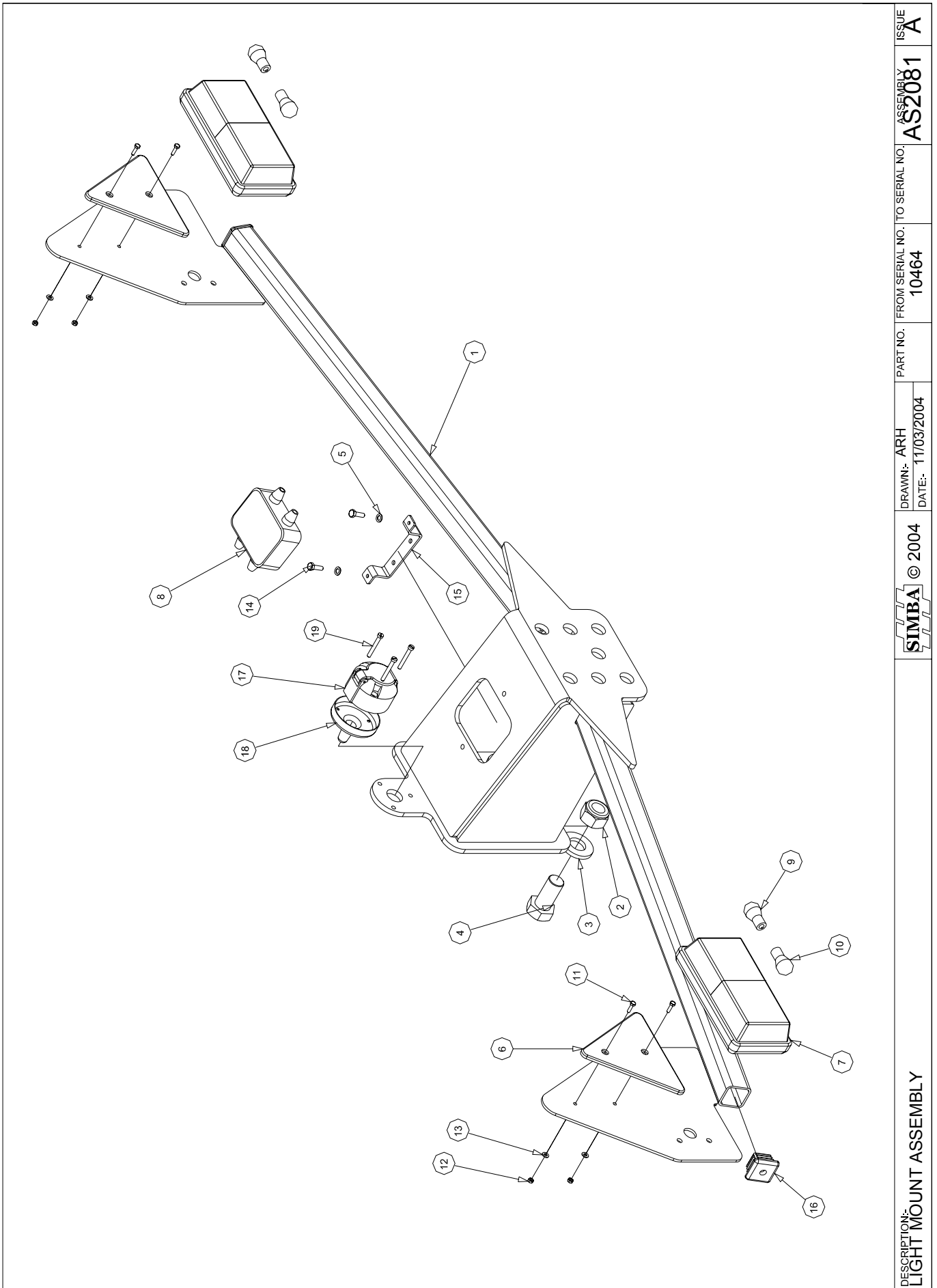
ISSUE
A

AS1942		SOLO - AXLE ASSEMBLY		
ITEM	PART NO	DESCRIPTION	QTY	COMMENTS
1	J220110730	LIFT AXLE - SOLO 330	1	
2	J971910081	BOTTOM AXLE - SOLO 330	1	
3	P12654	WHEEL 500/50-17	1	
4	P10038	GREASE PIPE KIT - DISC	1	
5	J226720230	BACK PLATE	2	
6	P01901	BOLT M16x80 GR. 8.8	8	
7	P02602	WASHER FLAT M16	8	
8	P02008	NUT LOCK M16	8	
9	P10005	BUSH Ø65xØ45x5	2	
10	P00771	BOLT M24x120 GR10.9	2	
11	P02604	WASHER FLAT M24 Ø50	2	
12	P02010	NUT LOCK M24	2	
13				
14				
15				
16				
17				
18				
19				
20				
21				
22				
23				
24				
25				
26				
27				
28				
29				
30				
31				
32				
33				
34				
35				
36				
37				
38				
39				
40				
41				
42				
43				
44				
45				
46				
47				
48				
49				
50				



DESCRIPTION: BOTTOM AXLE ASSEMBLY	SIMBA © 2004	DRAWN:- ARH	FROM SERIAL NO. 11191	ISSUE
		DATE:- 11/03/2004	11191	A
		PART NO.	TO SERIAL NO.	ASSEMBLY
				AS1606

AS1606		AXLE ASSEMBLY 70mm SQ.			
ITEM	PART NO	DESCRIPTION	QTY	COMMENTS	
1	AXLE	AXLE SQ 70x70	1		
2	J950010509	SEAL	2		
3	J951332210	BEARING - INNER	2		
4	J224510061	BOTTOM AXLE - X-PRESS	2		
5	J951332207	BEARING - OUTER	2		
6	J911134303	NUT CASTLE M30	2		
7	J310130500	HUB CAP	2		
8	J225570280	WHEEL STUD M18	12		
9	J901301810	WHEEL NUT M18	12		
10	J971918210	SPRING PIN	2		
11	J930001101	NIPPLE GREASE M10x1	2		
12	J971910081	AXLE COMPLETE - SOLO 330	1	1330mm	
13	J971910101	AXLE COMPLETE - X-PRESS	1	2185mm	
14					
15					
16					
17					
18					
19					
20					
21					
22					
23					
24					
25					
26					
27					
28					
29					
30					
31					
32					
33					
34					
35					
36					
37					
38					
39					
40					
41					
42					
43					
44					
45					
46					
47					
48					
49					
50					



DESCRIPTION:
LIGHT MOUNT ASSEMBLY

SIMBA © 2004

DRAWN:- ARH
DATE:- 11/03/2004


PART NO.
10464

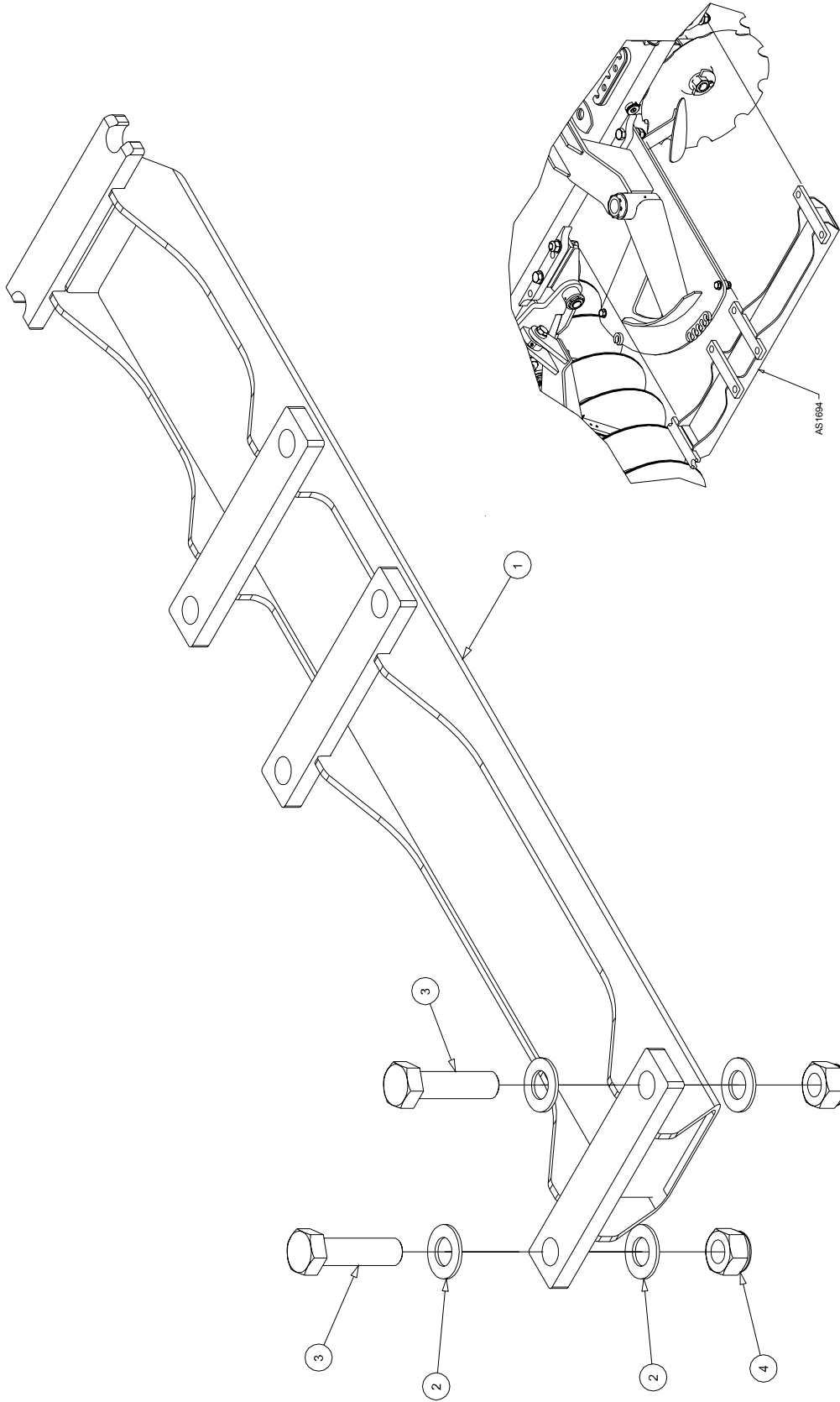
FROM SERIAL NO. | TO SERIAL NO.
10464

ASSEMBLY
AS2081

ISSUE
A




AS2081		LIGHT MOUNT ASSEMBLY 2005			
ITEM	PART NO	DESCRIPTION	QTY	COMMENTS	
1	J220111300	LIGHT MOUNT	1		
2	P02010	NUT LOCK M24	4		
3	P02604	WASHER FLAT M24 Ø50	4		
4	P03092	BOLT M24x50 GR. 8.8	4		
5	P05401	WASHER SPRING M6	2		
6	P05796	REFLECTOR - RED	2		
7	P05797	LIGHT UNIT	2		
8	P05820	JUNCTION BOX	1		
9	P06337	BULB INDICATOR LLB 335	2		
10	P06338	BULB STOP/TAIL LIGHT LLB 380	2		
11	P06400	BOLT M4x15 GR. 8.8	4		
12	P06401	NUT PLAIN M4	4		
13	P06402	WASHER FLAT M4	4		
14	P10293	BOLT M6x20 GR. 8.8	2		
15	P10590	JUNCTION BOX MOUNT	1		
16	P10591	END CAP - 40x40RHS Ø10	2		
17	P12424	TRAILER SOCKET FEMALE 12N	1		
18	P12425	SOCKET 12N - BOOT	1		
19	P12426	SOCKET 12N - INSTALL KIT	1		
20					
21					
22					
23					
24					
25					
26					
27					
28					
29					
30					
31					
32					
33					
34					
35					
36					
37					
38					
39					
40					
41					
42					
43					
44					
45					
46					
47					
48					
49					
50					

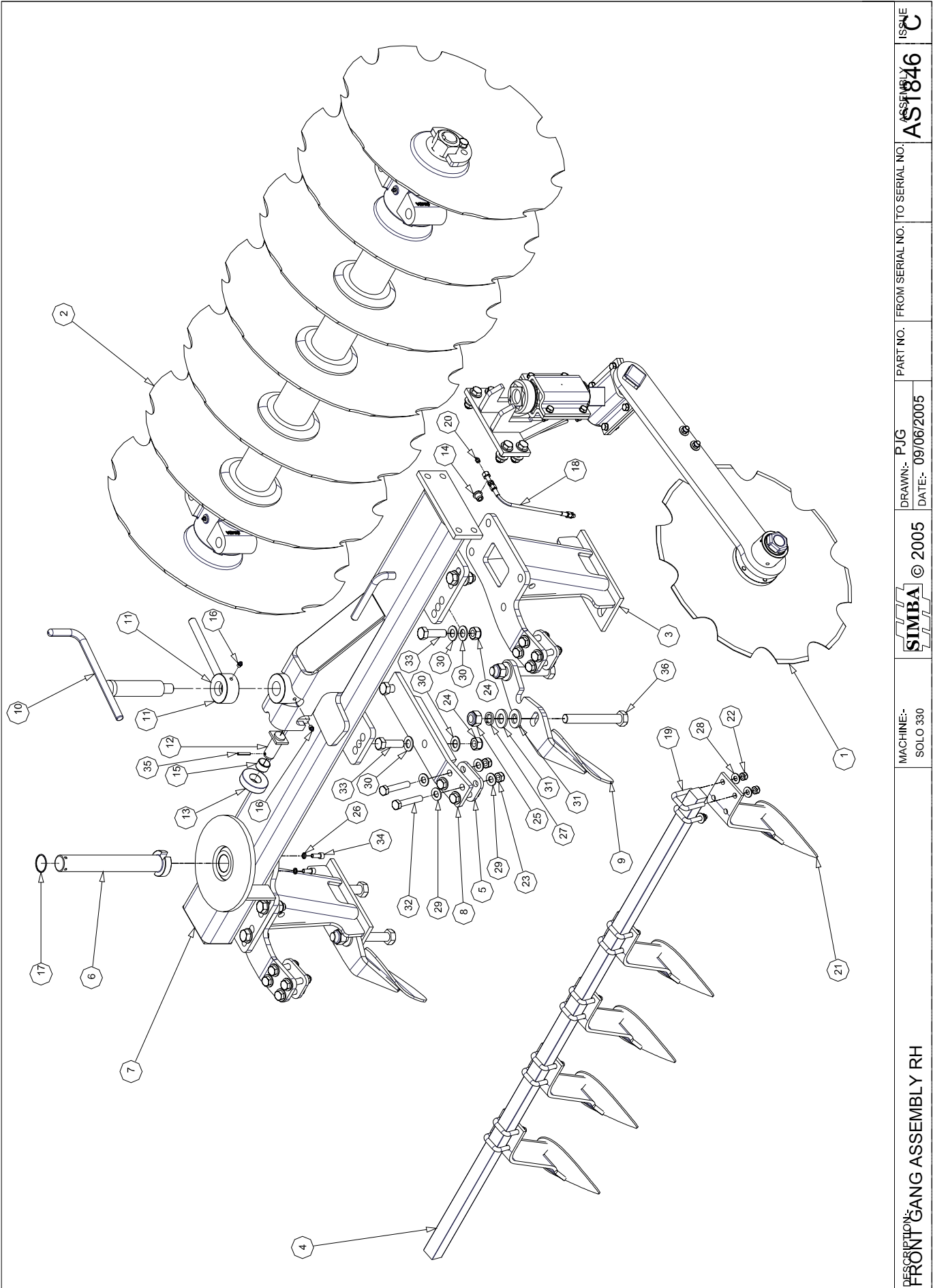


FITTED IN 'R' FORMAT ONLY


© 2004	DRAWN:- ARH DATE:- 24/05/2004	PART NO. 10464 FROM SERIAL NO. 10464 TO SERIAL NO.	ASSEMBLY AS1694	ISSUE A
	DESCRIPTION:- CHASSIS SUPPORT			

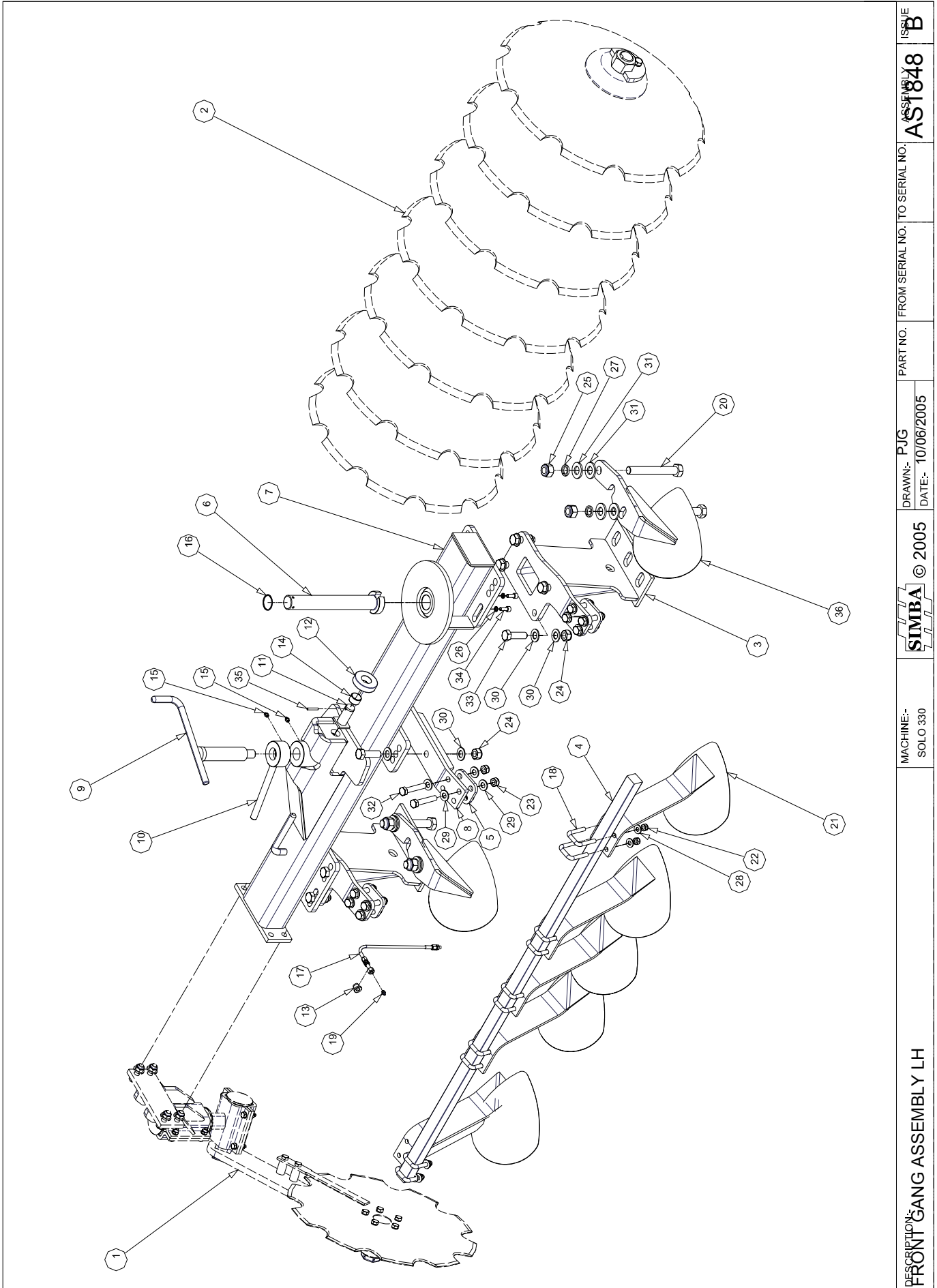


AS1694		CHASSIS SUPPORT ASSEMBLY SOLO 330		
ITEM	PART NO	DESCRIPTION	QTY	COMMENTS
1	P12569	CHASSIS SUPPORT	1	
2	P02608	WASHER FLAT M30	4	
3	P03120	BOLT M30x110 GR. 8.8	2	
4	P02011	NUT LOCK M30	2	
5				
6				
7				
8				
9				
10				
11				
12				
13				
14				
15				
16				
17				
18				
19				
20				
21				
22				
23				
24				
25				
26				
27				
28				
29				
30				
31				
32				
33				
34				
35				
36				
37				
38				
39				
40				
41				
42				
43				
44				
45				
46				
47				
48				
49				
50				




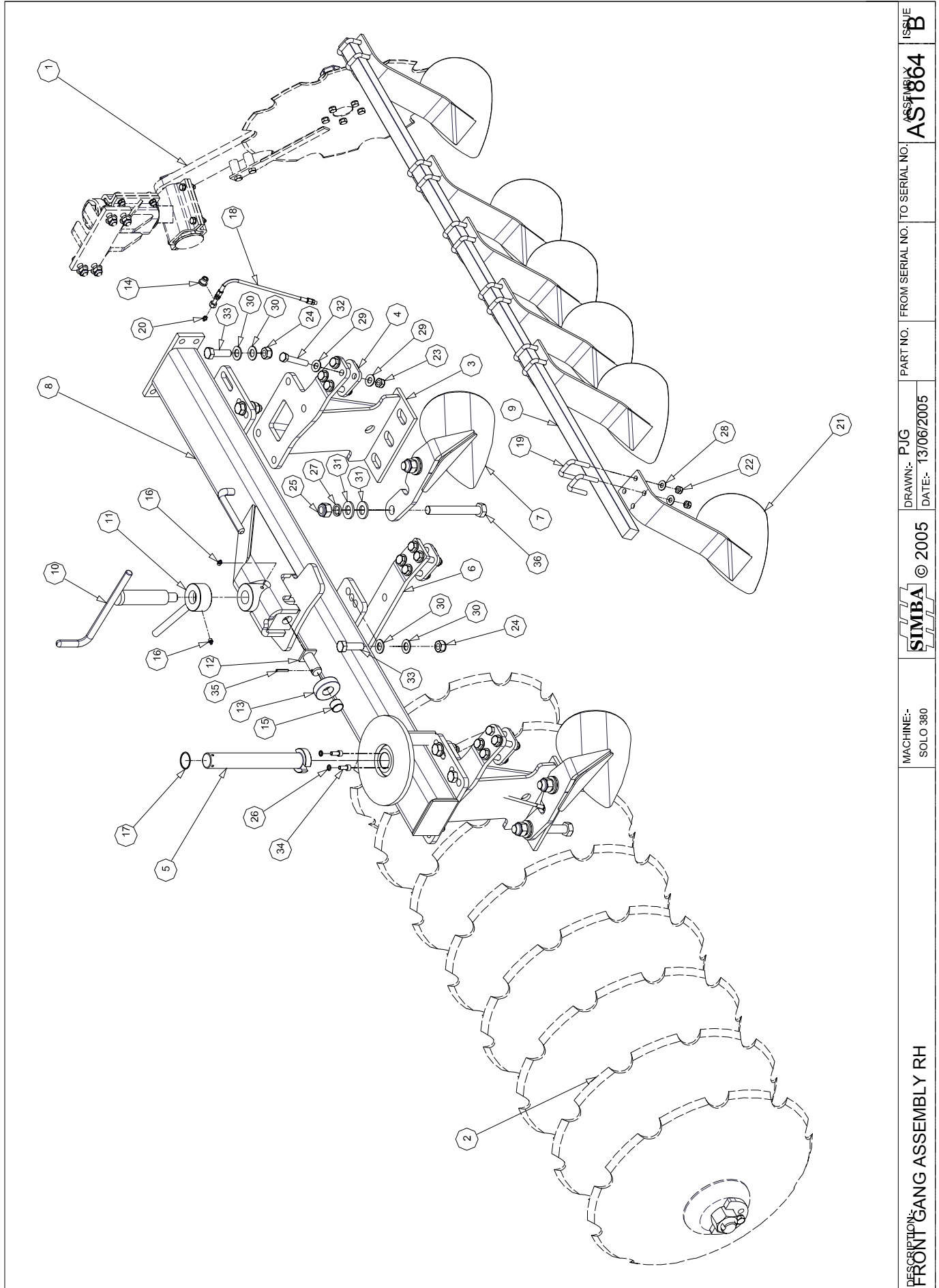
ISSUE	AS1846	FROM SERIAL NO.	PART NO.	DRAWN:- PJG DATE:- 09/06/2005	© 2005	MACHINE:- SOLO 330	DESCRIPTION: FRONT GANG ASSEMBLY RH
-------	--------	-----------------	----------	----------------------------------	--------	-----------------------	--

AS1846		SOLO 330 - FRONT GANG ASSEMBLY RH		
ITEM	PART NO	DESCRIPTION	QTY	COMMENTS
1	AS1688	COVERER ASSEMBLY RH	1	
2	AS1690	7 BLADE SR2 GANG	1	
3	J220111200	PILLAR RH	2	
4	J220111260	SCRAPER RAIL 1750	1	
5	J220111280	RETAINING PLATE	3	
6	J220111490	GANG BOLT Ø45x325	1	
7	J220111510	GANG BEAM - FRONT	1	
8	J220111860	SCRAPER RAIL SUPPORT	1	
9	P11888	PILLAR SCRAPER RH THROW	2	
10	J228300620	GANG LOCK SCREW	1	
11	J228300650	GANG LOCK NUT	1	
12	J228300890	PIN Ø30x66	1	
13	J228300970	WHEEL Ø76xØ34x20	1	
14	J912240101	GREASE PIPE BUSH	2	
15	J912280010	BUSH Ø34xØ30x20	1	
16	J930001101	NIPPLE GREASE M10x1	2	
17	J932002044	O RING Ø49x2.5	1	
18	P10038	GREASE PIPE 1/8"x400	2	
19	P00002	BOLT U M12 GR8.8 70x54	10	
20	P00071	NIPPLE - GREASE	2	
21	P00894	SCRAPER RH THROW	5	
22	P02007	NUT LOCK M12	20	
23	P02008	NUT LOCK M16	12	
24	P02009	NUT LOCK M20	9	
25	P02010	NUT LOCK M24	4	
26	P02035	WASHER SPRING M10	2	
27	P02593	WASHER SPRING M24	2	
28	P02601	WASHER FLAT M12	20	
29	P02602	WASHER FLAT M16	24	
30	P02603	WASHER FLAT M20	18	
31	P02604	WASHER FLAT M24 Ø50	6	
32	P02649	BOLT M16x90 GR. 8.8	12	
33	P02654	BOLT M20x65 GR. 8.8	10	
34	P10254	CAPSCREW M10x25 GR10.9	2	
35	P11144	ROLL PIN - Ø6x40	1	
36	P12766	BOLT M24x180 GR10.9	4	
37				
38				
39				
40				
41				
42				
43				
44				
45				
46				
47				
48				
49				
50				



ISSUE B	ASSEMBLY AS1848	FROM SERIAL NO. TO SERIAL NO.	PART NO.	DRAWN:- PJG	DATE:- 10/06/2005	MACHINE:- SOLO 330	SIMBA © 2005	FRONT GANG ASSEMBLY LH
-------------------	---------------------------	-------------------------------	----------	-------------	-------------------	-----------------------	---------------------	------------------------

AS1848		SOLO 330 FRONT GANG ASSEMBLY LH		
ITEM	PART NO	DESCRIPTION	QTY	COMMENTS
1	AS1689	COVERER ASSEMBLY LH	1	
2	AS1690	7 BLADE SR2 GANG	1	
3	J220111190	PILLAR LH	2	
4	J220111260	SCRAPER RAIL 1750	1	
5	J220111280	RETAINING PLATE	3	
6	J220111490	GANG BOLT Ø45x325	1	
7	J220111510	GANG BEAM - FRONT	1	
8	J220111860	SCRAPER RAIL SUPPORT	1	
9	J228300620	GANG LOCK SCREW	1	
10	J228300650	GANG LOCK NUT	1	
11	J228300890	PIN Ø30x66	1	
12	J228300970	WHEEL Ø76xØ34x20	1	
13	J912240101	GREASE PIPE BUSH	2	
14	J912280010	BUSH Ø34xØ30x20	1	
15	J930001101	NIPPLE GREASE M10x1	2	
16	J932002044	O RING Ø49x2.5	1	
17	P10038	GREASE PIPE 1/8"x400	2	
18	P00002	BOLT U M12 GR8.8 70x54	10	
19	P00071	NIPPLE - GREASE	2	
20	P00789	BOLT M24x180 GR. 8.8	4	
21	P00895	SCRAPER LH THROW	5	
22	P02007	NUT LOCK M12	20	
23	P02008	NUT LOCK M16	12	
24	P02009	NUT LOCK M20	10	
25	P02010	NUT LOCK M24	4	
26	P02035	WASHER SPRING M10	2	
27	P02593	WASHER SPRING M24	4	
28	P02601	WASHER FLAT M12	20	
29	P02602	WASHER FLAT M16	24	
30	P02603	WASHER FLAT M20	18	
31	P02604	WASHER FLAT M24 Ø50	8	
32	P02649	BOLT M16x90 GR. 8.8	12	
33	P02654	BOLT M20x65 GR. 8.8	10	
34	P10254	CAPSCREW M10x25 GR10.9	2	
35	P11144	ROLL PIN - Ø6x40	1	
36	P11887	PILLAR SCRAPER LH THROW	2	
37				
38				
39				
40				
41				
42				
43				
44				
45				
46				
47				
48				
49				
50				



DESCRIPTION: FRONT GANG ASSEMBLY RH

MACHINE:- SOLO 380




© 2005

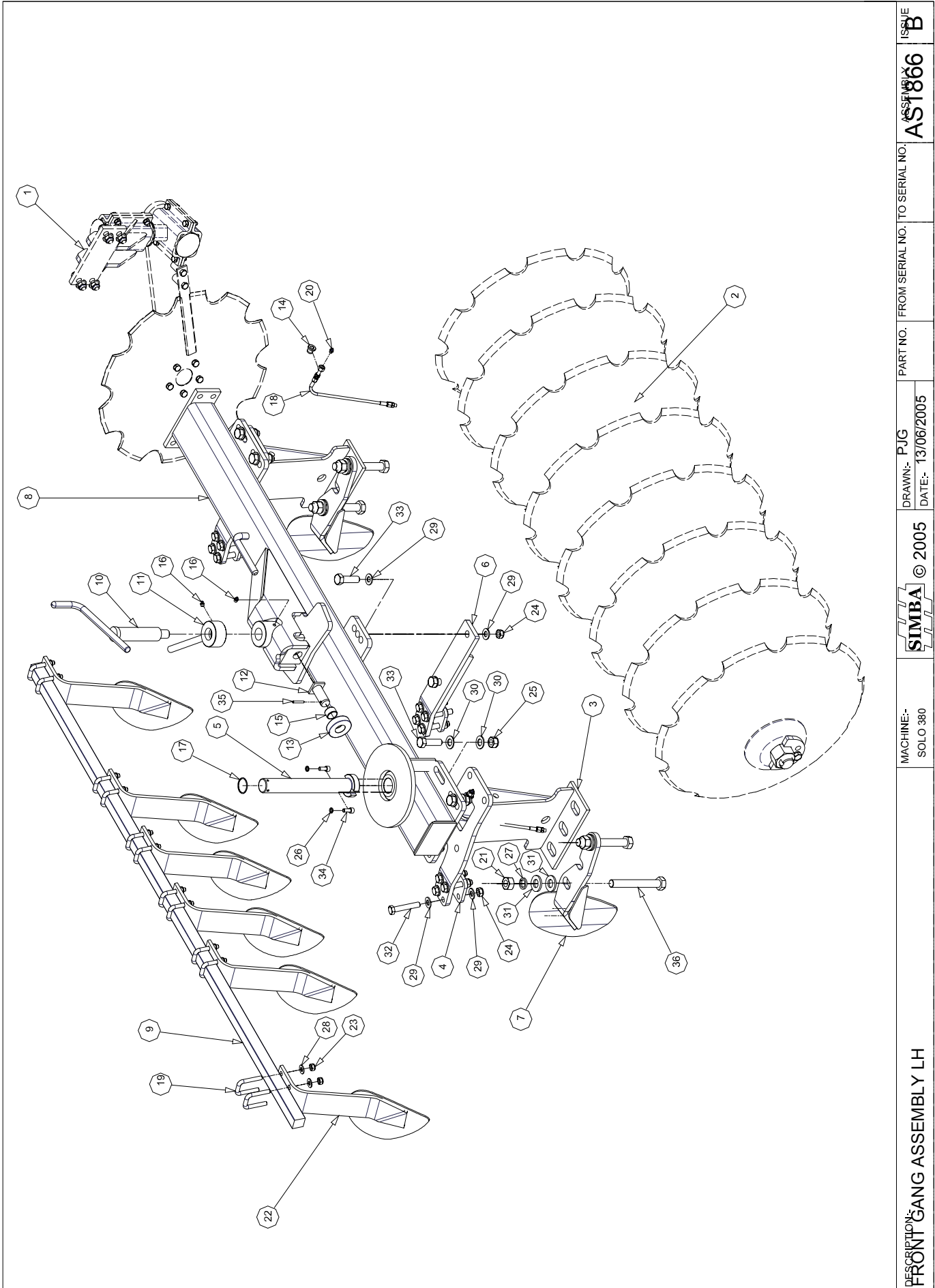
DRAWN:- PJG
DATE:- 13/06/2005

PART NO. FROM SERIAL NO. TO SERIAL NO.


ASSEMBLY NO. AS1864

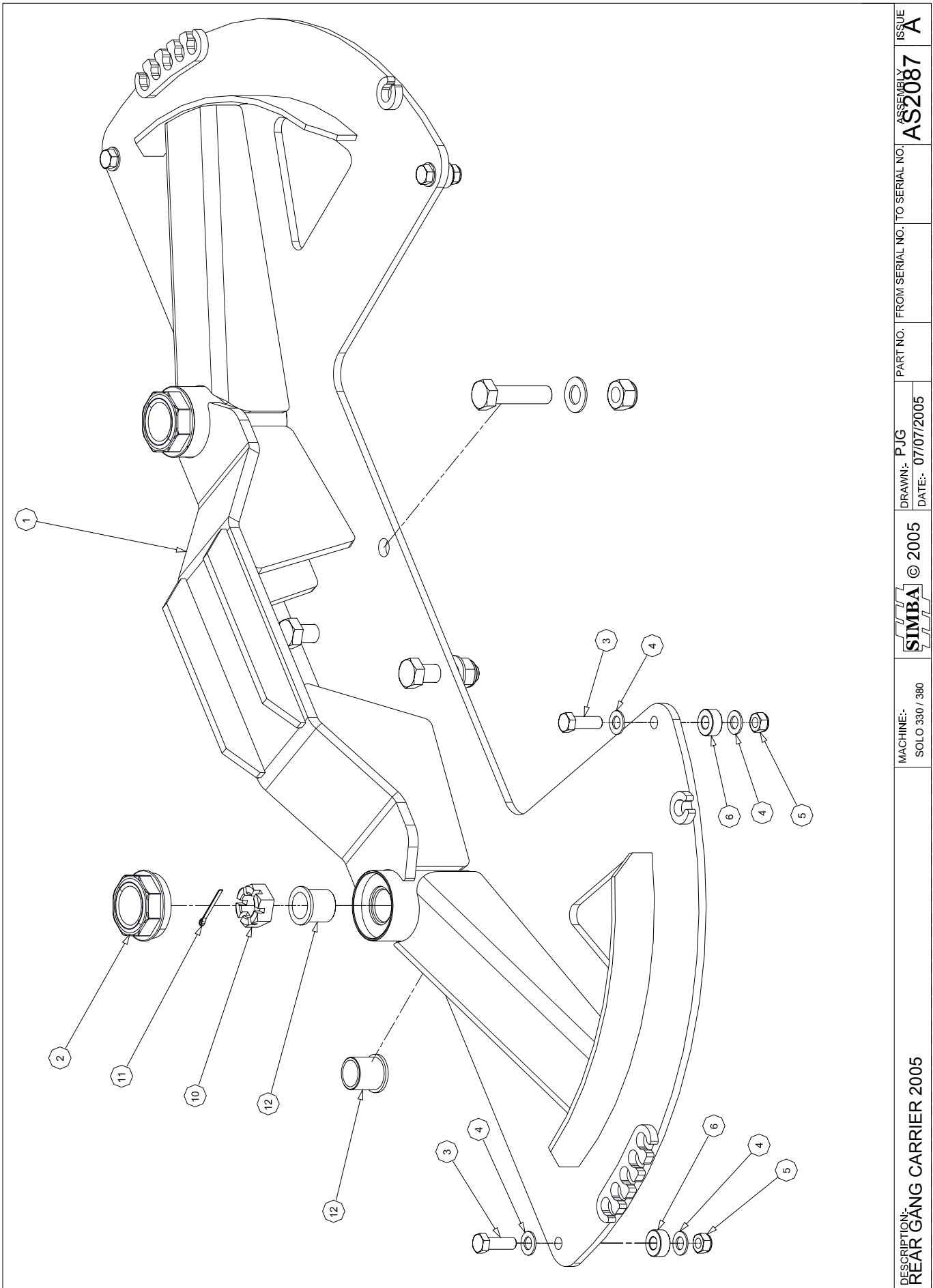
ISSUE B

AS1864		SOLO 380 FRONT GANG ASSEMBLY RH		
ITEM	PART NO	DESCRIPTION	QTY	COMMENTS
1	AS1688	COVERER ASSEMBLY RH	1	
2	AS1865	8 BLADE SR2 FRONT GANG	1	
3	J220111200	PILLAR RH	2	
4	J220111280	RETAINING PLATE	3	
5	J220111490	GANG BOLT Ø45x325	1	
6	J220111860	SCRAPER RAIL SUPPORT	1	
7	P11888	PILLAR SCRAPER RH THROW	2	
8	J220130020	GANG BEAM - FRONT	1	
9	P14147	SCRAPER RAIL - 2000mm	1	
10	J228300620	GANG LOCK SCREW	1	
11	J228300650	GANG LOCK NUT	1	
12	J228300890	PIN Ø30x66	1	
13	J228300970	WHEEL Ø76xØ34x20	1	
14	J912240101	GREASE PIPE BUSH	2	
15	J912280010	BUSH Ø34xØ30x20	1	
16	J930001101	NIPPLE GREASE M10x1	2	
17	J932002044	O RING Ø49x2.5	1	
18	P10038	GREASE PIPE 1/8"x400	2	
19	P00002	BOLT U M12 GR8.8 70x54	12	
20	P00071	NIPPLE - GREASE	2	
21	P00894	SCRAPER RH THROW	6	
22	P02007	NUT LOCK M12	24	
23	P02008	NUT LOCK M16	12	
24	P02009	NUT LOCK M20	10	
25	P02010	NUT LOCK M24	4	
26	P02035	WASHER SPRING M10	2	
27	P02593	WASHER SPRING M24	4	
28	P02601	WASHER FLAT M12	24	
29	P02602	WASHER FLAT M16	23	
30	P02603	WASHER FLAT M20	19	
31	P02604	WASHER FLAT M24 Ø50	8	
32	P02649	BOLT M16x90 GR. 8.8	12	
33	P02654	BOLT M20x65 GR. 8.8	10	
34	P10254	CAPSCREW M10x25 GR10.9	2	
35	P11144	ROLL PIN - Ø6x40	1	
36	P12766	BOLT M24x180 GR10.9	4	
37				
38				
39				
40				
41				
42				
43				
44				
45				
46				
47				
48				
49				
50				




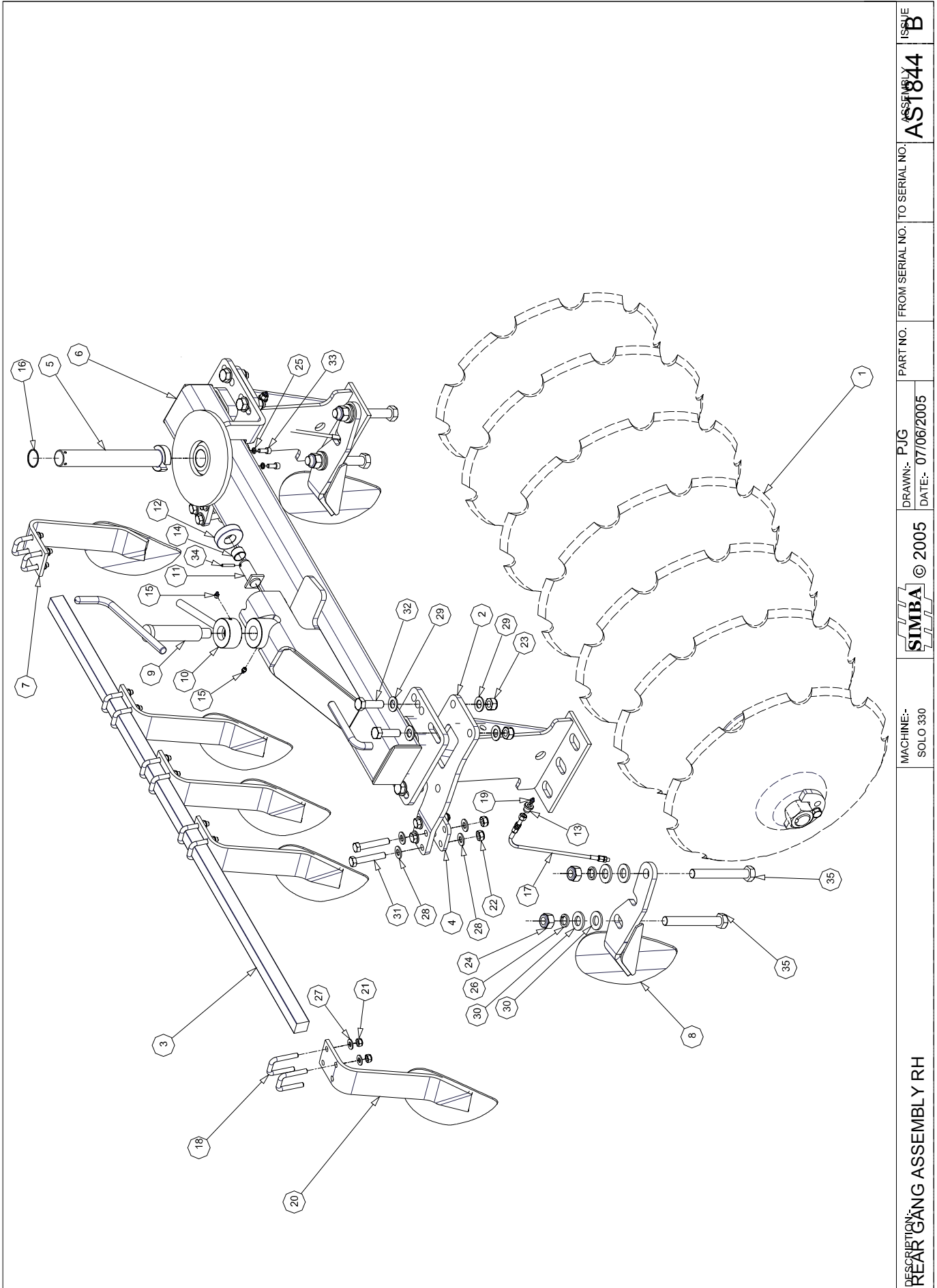
ISSUE B	ASSEMBLY NO. AS1866	FROM SERIAL NO. TO SERIAL NO.	PART NO.	DRAWN:- PJG DATE:- 13/06/2005	© 2005	MACHINE:- SOLO 380	DESCRIPTION: FRONT GANG ASSEMBLY LH
-------------------	-------------------------------	-------------------------------	----------	----------------------------------	--------	-----------------------	---

AS1866		SOLO 380 FRONT GANG ASSEMBLY LH		
ITEM	PART NO	DESCRIPTION	QTY	COMMENTS
1	AS1689	COVERER ASSEMBLY LH	1	
2	AS1865	8 BLADE SR2 FRONT GANG	1	
3	J220111190	PILLAR LH	2	
4	J220111280	RETAINING PLATE	3	
5	J220111490	GANG BOLT Ø45x325	1	
6	J220111860	SCRAPER RAIL SUPPORT	1	
7	P11887	PILLAR SCRAPER LH THROW	2	
8	J220130020	GANG BEAM - FRONT	1	
9	P14147	SCRAPER RAIL - 2000mm	1	
10	J228300620	GANG LOCK SCREW	1	
11	J228300650	GANG LOCK NUT	1	
12	J228300890	PIN Ø30x66	1	
13	J228300970	WHEEL Ø76xØ34x20	1	
14	J912240101	GREASE PIPE BUSH	2	
15	J912280010	BUSH Ø34xØ30x20	1	
16	J930001101	NIPPLE GREASE M10x1	2	
17	J932002044	O RING Ø49x2.5	1	
18	P10038	GREASE PIPE 1/8"x400	2	
19	P00002	BOLT U M12 GR8.8 70x54	12	
20	P00071	NIPPLE - GREASE	2	
21	P00717	NUT PLAIN M24	4	
22	P00895	SCRAPER LH THROW	6	
23	P02007	NUT LOCK M12	24	
24	P02008	NUT LOCK M16	14	
25	P02009	NUT LOCK M20	8	
26	P02035	WASHER SPRING M10	2	
27	P02593	WASHER SPRING M24	4	
28	P02601	WASHER FLAT M12	24	
29	P02602	WASHER FLAT M16	28	
30	P02603	WASHER FLAT M20	14	
31	P02604	WASHER FLAT M24 Ø50	8	
32	P02649	BOLT M16x90 GR. 8.8	12	
33	P02654	BOLT M20x65 GR. 8.8	10	
34	P10254	CAPSCREW M10x25 GR10.9	2	
35	P11144	ROLL PIN - Ø6x40	1	
36	P12766	BOLT M24x180 GR10.9	4	
37				
38				
39				
40				
41				
42				
43				
44				
45				
46				
47				
48				
49				
50				




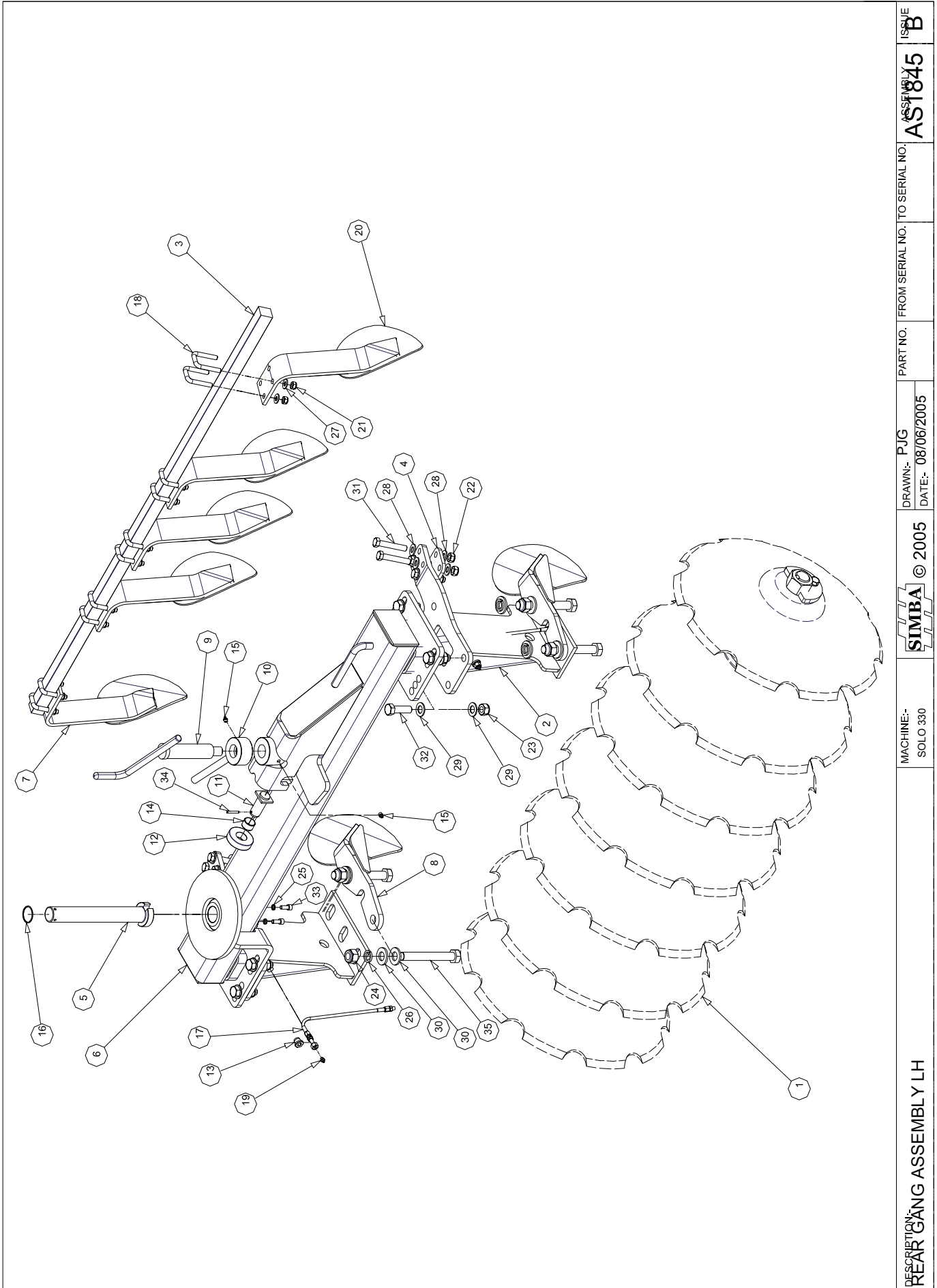
DESCRIPTION: REAR GANG CARRIER 2005	MACHINE: SOLO 330 / 380	SIMBA © 2005	DRAWN: PJG DATE: 07/07/2005	PART NO.	FROM SERIAL NO.	TO SERIAL NO.	ASSEMBLY AS2087	ISSUE A
--	----------------------------	--------------	--------------------------------	----------	-----------------	---------------	--------------------	------------

AS2087		REAR GANG CARRIER 2005			
ITEM	PART NO	DESCRIPTION	QTY	COMMENTS	
1	J220111900	REAR GANG CARRIER	1		
2	J972090024	DUST CAP Ø110	2		
3	P03115	BOLT M20x60 GR. 8.8	4		
4	P02603	WASHER FLAT M20	8		
5	P02009	NUT LOCK M20	4		
6	J912202121	BUSH Ø45xØ21x20	4		
7	P12765	BOLT M30x120 GR. 8.8	4		
8	P02608	WASHER FLAT M30	4		
9	P02011	NUT LOCK M30	4		
10	J911138453	NUT CASTLE M45	2		
11	P02488	SPLIT PIN Ø6x80	2		
12	P10005	BUSH Ø65xØ45x5	4		
13					
14					
15					
16					
17					
18					
19					
20					
21					
22					
23					
24					
25					
26					
27					
28					
29					
30					
31					
32					
33					
34					
35					
36					
37					
38					
39					
40					
41					
42					
43					
44					
45					
46					
47					
48					
49					
50					




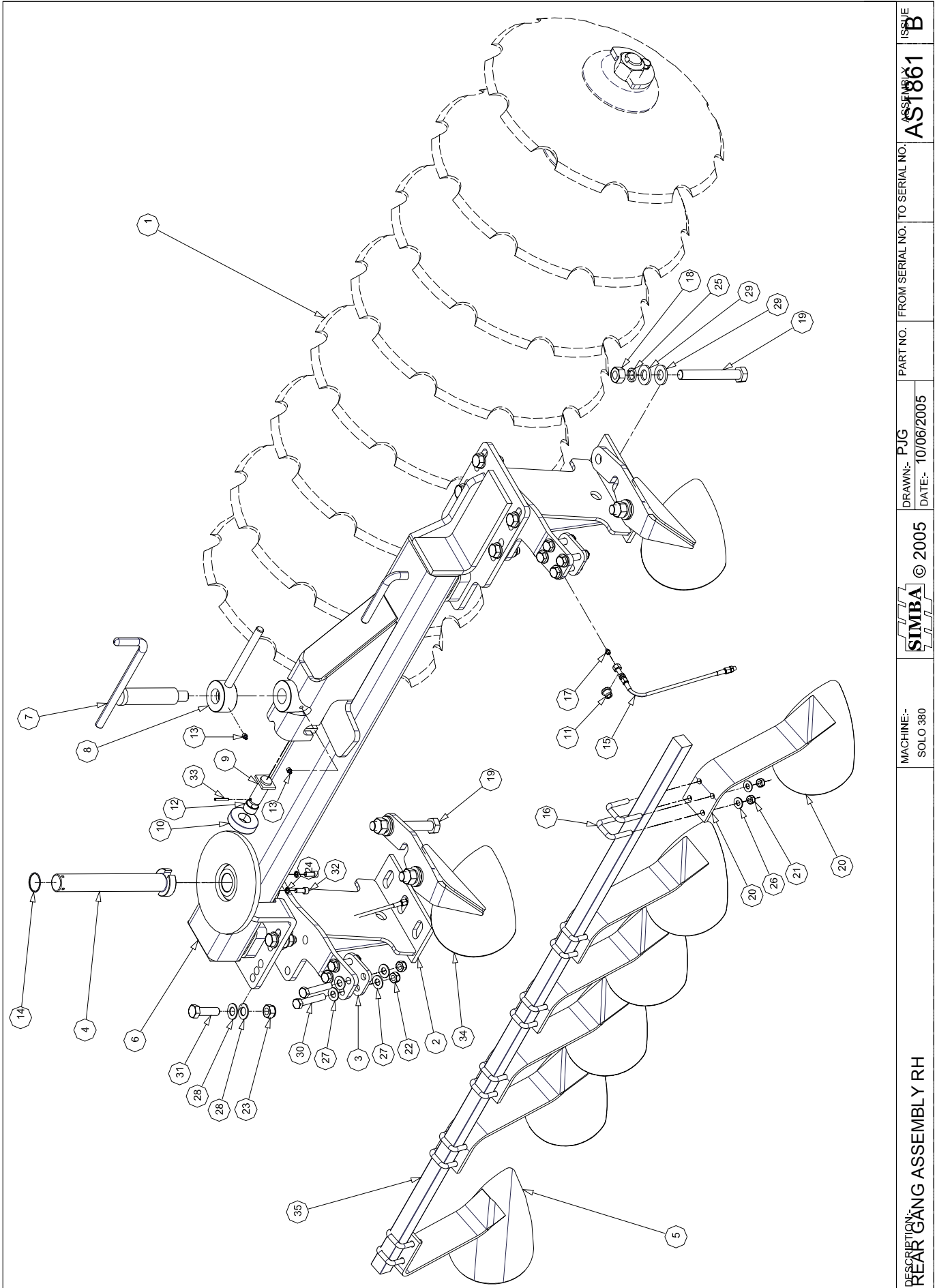
ISSUE	AS1844	TO SERIAL NO.	FROM SERIAL NO.	PART NO.	PJM	DRAWN-	DATE-	© 2005	SIMBA	MACHINE-	SOLO 330	REAR GANG ASSEMBLY RH	DESCRIPTION
B						07/06/2005							

AS1844		SOLO 330 REAR RH GANG ASSEMBLY		
ITEM	PART NO	DESCRIPTION	QTY	COMMENTS
1	AS1747	7 BLADE SR2 REAR GANG	1	
2	J220111190	PILLAR LH	2	
3	J220111271	SCRAPER RAIL - 1620mm	1	
4	J220111280	RETAINING PLATE	2	
5	J220111490	GANG BOLT Ø45x325	1	
6	J220111501	GANG BEAM - REAR	1	
7	P13384	SCRAPER REVERSED LH THROW	1	
8	P11887	PILLAR SCRAPER LH THROW	2	
9	J228300620	GANG LOCK SCREW	1	
10	J228300650	GANG LOCK NUT	1	
11	J228300890	PIN Ø30x66	1	
12	J228300970	WHEEL Ø76xØ34x20	1	
13	J912240101	GREASE PIPE BUSH	2	
14	J912280010	BUSH Ø34xØ30x20	1	
15	J930001101	NIPPLE GREASE M10x1	2	
16	J932002044	O RING Ø49x2.5	1	
17	P10038	GREASE PIPE 1/8"x400	2	
18	P00002	BOLT U M12 GR8.8 70x54	10	
19	P00071	NIPPLE - GREASE	2	
20	P00895	SCRAPER LH THROW	4	
21	P02007	NUT LOCK M12	20	
22	P02008	NUT LOCK M16	8	
23	P02009	NUT LOCK M20	8	
24	P02010	NUT LOCK M24	4	
25	P02035	WASHER SPRING M10	2	
26	P02593	WASHER SPRING M24	4	
27	P02601	WASHER FLAT M12	20	
28	P02602	WASHER FLAT M16	16	
29	P02603	WASHER FLAT M20	16	
30	P02604	WASHER FLAT M24 Ø50	8	
31	P02649	BOLT M16x90 GR. 8.8	8	
32	P02654	BOLT M20x65 GR. 8.8	8	
33	P10254	CAPSCREW M10x25 GR10.9	2	
34	P11144	ROLL PIN - Ø6x40	1	
35	P12766	BOLT M24x180 GR10.9	4	
36				
37				
38				
39				
40				
41				
42				
43				
44				
45				
46				
47				
48				
49				
50				




ISSUE	AS1845	TO SERIAL NO.	PART NO.	DRAWN:- PJG	DATE:- 08/06/2005	MACHINE:- SOLO 330	SIMBA © 2005	REAR GANG ASSEMBLY LH	DESCRIPTION
-------	--------	---------------	----------	-------------	-------------------	--------------------	--------------	-----------------------	-------------

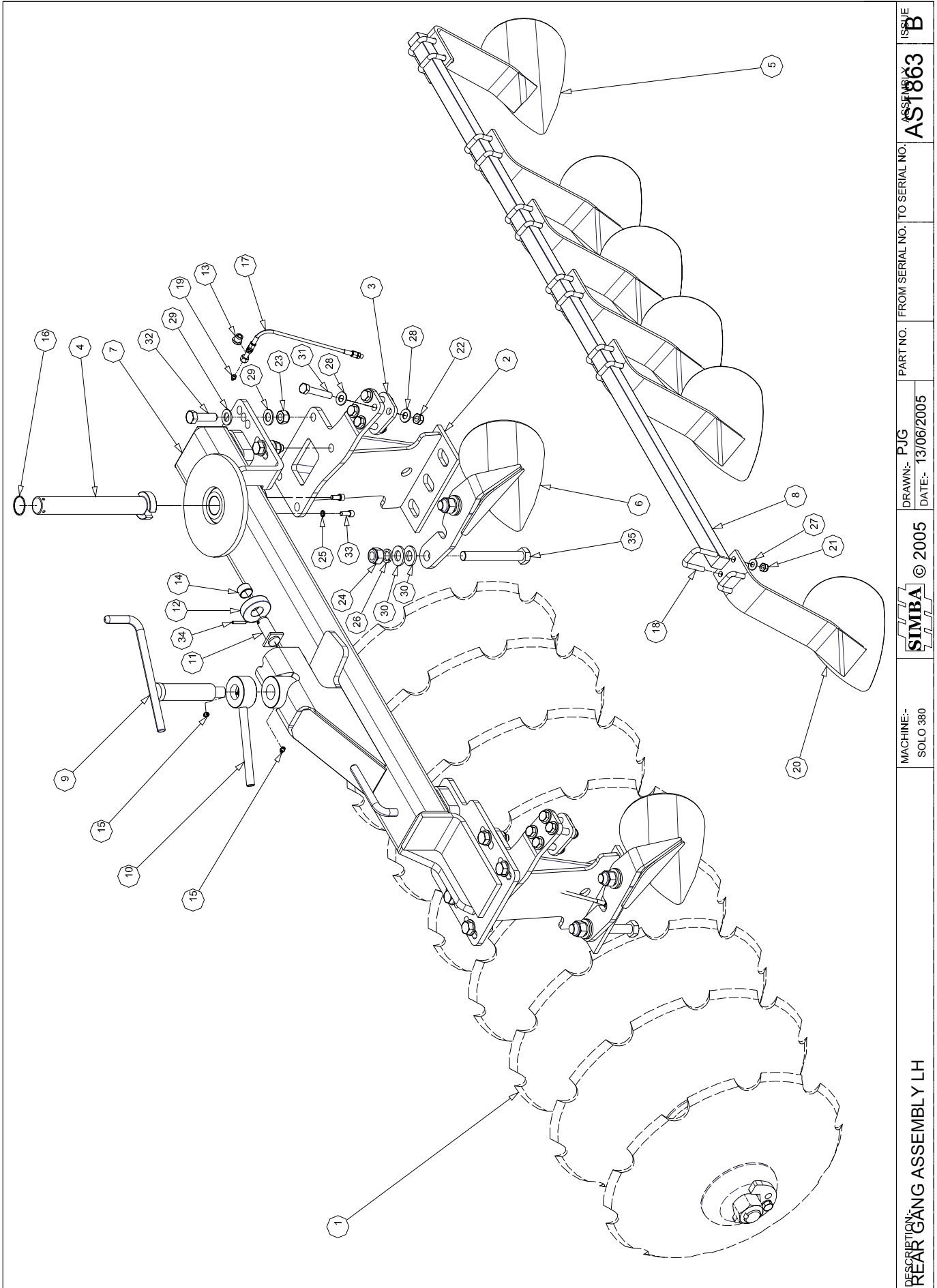
AS1845		SOLO 330 - REAR GANG ASSEMBLY LH		
ITEM	PART NO	DESCRIPTION	QTY	COMMENTS
1	AS1747	7 BLADE SR2 REAR GANG	1	
2	J220111200	PILLAR RH	2	
3	J220111271	SCRAPER RAIL - 1620mm	1	
4	J220111280	RETAINING PLATE	2	
5	J220111490	GANG BOLT Ø45x325	1	
6	J220111501	GANG BEAM - REAR	1	
7	P13385	SCRAPER REVERSED RH THROW	1	
8	P11888	PILLAR SCRAPER RH THROW	2	
9	J228300620	GANG LOCK SCREW	1	
10	J228300650	GANG LOCK NUT	1	
11	J228300890	PIN Ø30x66	1	
12	J228300970	WHEEL Ø76xØ34x20	1	
13	J912240101	GREASE PIPE BUSH	2	
14	J912280010	BUSH Ø34xØ30x20	1	
15	J930001101	NIPPLE GREASE M10x1	2	
16	J932002044	O RING Ø49x2.5	1	
17	P10038	GREASE PIPE 1/8"x400	2	
18	P00002	BOLT U M12 GR8.8 70x54	10	
19	P00071	NIPPLE - GREASE	2	
20	P00894	SCRAPER RH THROW	4	
21	P02007	NUT LOCK M12	20	
22	P02008	NUT LOCK M16	8	
23	P02009	NUT LOCK M20	8	
24	P02010	NUT LOCK M24	4	
25	P02035	WASHER SPRING M10	2	
26	P02593	WASHER SPRING M24	4	
27	P02601	WASHER FLAT M12	20	
28	P02602	WASHER FLAT M16	15	
29	P02603	WASHER FLAT M20	16	
30	P02604	WASHER FLAT M24 Ø50	8	
31	P02649	BOLT M16x90 GR. 8.8	8	
32	P02654	BOLT M20x65 GR. 8.8	8	
33	P10254	CAPSCREW M10x25 GR10.9	2	
34	P11144	ROLL PIN - Ø6x40	1	
35	P12766	BOLT M24x180 GR10.9	4	
36				
37				
38				
39				
40				
41				
42				
43				
44				
45				
46				
47				
48				
49				
50				




ISSUE B	ASSEMBLY NO. AS1861	FROM SERIAL NO. TO SERIAL NO.	PART NO.	DRAWN:- PJG DATE:- 10/06/2005	© 2005	MACHINE:- SOLO 380	DESCRIPTION REAR GANG ASSEMBLY RH
-------------------	-------------------------------	-------------------------------	----------	----------------------------------	--------	-----------------------	---

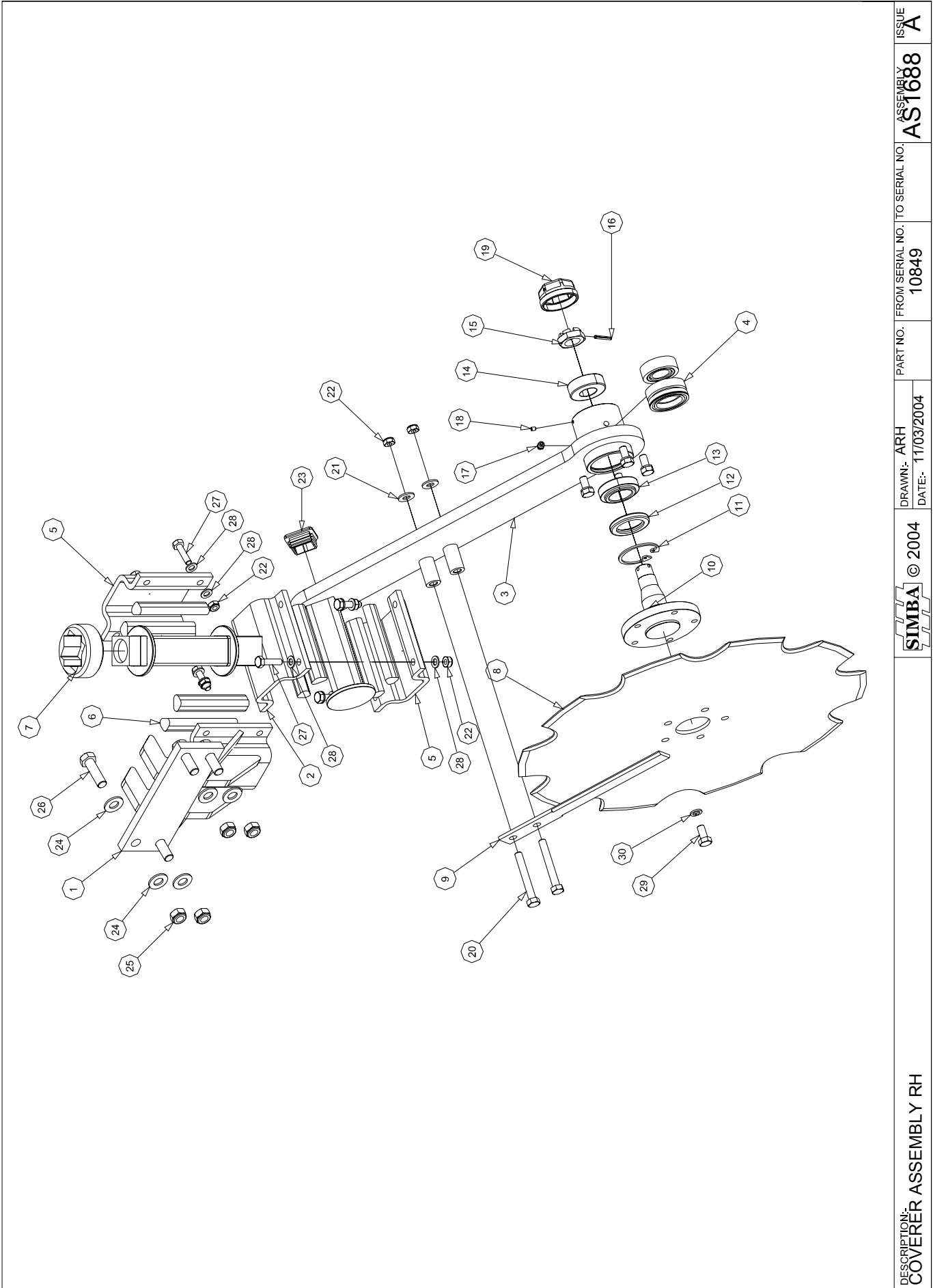


AS1861		SOLO 380 REAR GANG ASSEMBLY RH		
ITEM	PART NO	DESCRIPTION	QTY	COMMENTS
1	AS1708	8 BLADE SR2 REAR GANG	1	
2	J220111190	PILLAR LH	2	
3	J220111280	RETAINING PLATE	2	
4	J220111490	GANG BOLT Ø45x325	1	
5	P13384	SCRAPER REVERSED LH THROW	1	
6	P14120	GANG BEAM - REAR RH	1	
7	J228300620	GANG LOCK SCREW	1	
8	J228300650	GANG LOCK NUT	1	
9	J228300890	PIN Ø30x66	1	
10	J228300970	WHEEL Ø76xØ34x20	1	
11	J912240101	GREASE PIPE BUSH	2	
12	J912280010	BUSH Ø34xØ30x20	1	
13	J930001101	NIPPLE GREASE M10x1	2	
14	J932002044	O RING Ø49x2.5	1	
15	P10038	GREASE PIPE 1/8"x400	2	
16	P00002	BOLT U M12 GR8.8 70x54	12	
17	P00071	NIPPLE - GREASE	2	
18	P00717	NUT PLAIN M24	4	
19	P00789	BOLT M24x180 GR. 8.8	4	
20	P00895	SCRAPER LH THROW	5	
21	P02007	NUT LOCK M12	24	
22	P02008	NUT LOCK M16	8	
23	P02009	NUT LOCK M20	8	
24	P02035	WASHER SPRING M10	2	
25	P02593	WASHER SPRING M24	4	
26	P02601	WASHER FLAT M12	24	
27	P02602	WASHER FLAT M16	16	
28	P02603	WASHER FLAT M20	16	
29	P02604	WASHER FLAT M24 Ø50	8	
30	P02649	BOLT M16x90 GR. 8.8	8	
31	P02654	BOLT M20x65 GR. 8.8	8	
32	P10254	CAPSCREW M10x25 GR10.9	2	
33	P11144	ROLL PIN - Ø6x40	1	
34	P11887	PILLAR SCRAPER LH THROW	2	
35	P13215	REAR DISC SCRAPER RAIL	1	
36				
37				
38				
39				
40				
41				
42				
43				
44				
45				
46				
47				
48				
49				
50				



ISSUE B	ASSEMBLY AS1863	FROM SERIAL NO. TO SERIAL NO.	PART NO.	DRAWN:- PJG DATE:- 13/06/2005	MACHINE:- SOLO 380	SIMBA © 2005	DESCRIPTION REAR GANG ASSEMBLY LH
-------------------	---------------------------	-------------------------------	----------	----------------------------------	-----------------------	--------------	--------------------------------------

AS1863		SOLO 380 - REAR GANG ASSEMBLY LH		
ITEM	PART NO	DESCRIPTION	QTY	COMMENTS
1	AS1708	8 BLADE SR2 REAR GANG	1	
2	J220111200	PILLAR RH	2	
3	J220111280	RETAINING PLATE	2	
4	J220111490	GANG BOLT Ø45x325	1	
5	P13385	SCRAPER REVERSED RH THROW	1	
6	P11888	PILLAR SCRAPER RH THROW	2	
7	P14121	GANG BEAM - REAR LH	1	
8	P14149	SCRAPER RAIL - 1870mm	1	
9	J228300620	GANG LOCK SCREW	1	
10	J228300650	GANG LOCK NUT	1	
11	J228300890	PIN Ø30x66	1	
12	J228300970	WHEEL Ø76xØ34x20	1	
13	J912240101	GREASE PIPE BUSH	2	
14	J912280010	BUSH Ø34xØ30x20	1	
15	J930001101	NIPPLE GREASE M10x1	2	
16	J932002044	O RING Ø49x2.5	1	
17	P10038	GREASE PIPE 1/8"x400	2	
18	P00002	BOLT U M12 GR8.8 70x54	12	
19	P00071	NIPPLE - GREASE	2	
20	P00894	SCRAPER RH THROW	5	
21	P02007	NUT LOCK M12	24	
22	P02008	NUT LOCK M16	8	
23	P02009	NUT LOCK M20	8	
24	P02010	NUT LOCK M24	4	
25	P02035	WASHER SPRING M10	2	
26	P02593	WASHER SPRING M24	4	
27	P02601	WASHER FLAT M12	24	
28	P02602	WASHER FLAT M16	16	
29	P02603	WASHER FLAT M20	16	
30	P02604	WASHER FLAT M24 Ø50	8	
31	P02649	BOLT M16x90 GR. 8.8	8	
32	P02654	BOLT M20x65 GR. 8.8	8	
33	P10254	CAPSCREW M10x25 GR10.9	2	
34	P11144	ROLL PIN - Ø6x40	1	
35	P12766	BOLT M24x180 GR10.9	4	
36				
37				
38				
39				
40				
41				
42				
43				
44				
45				
46				
47				
48				
49				
50				



DESCRIPTION:
COVERER ASSEMBLY RH

SIMBA © 2004


DRAWN: ARH
DATE: 11/03/2004

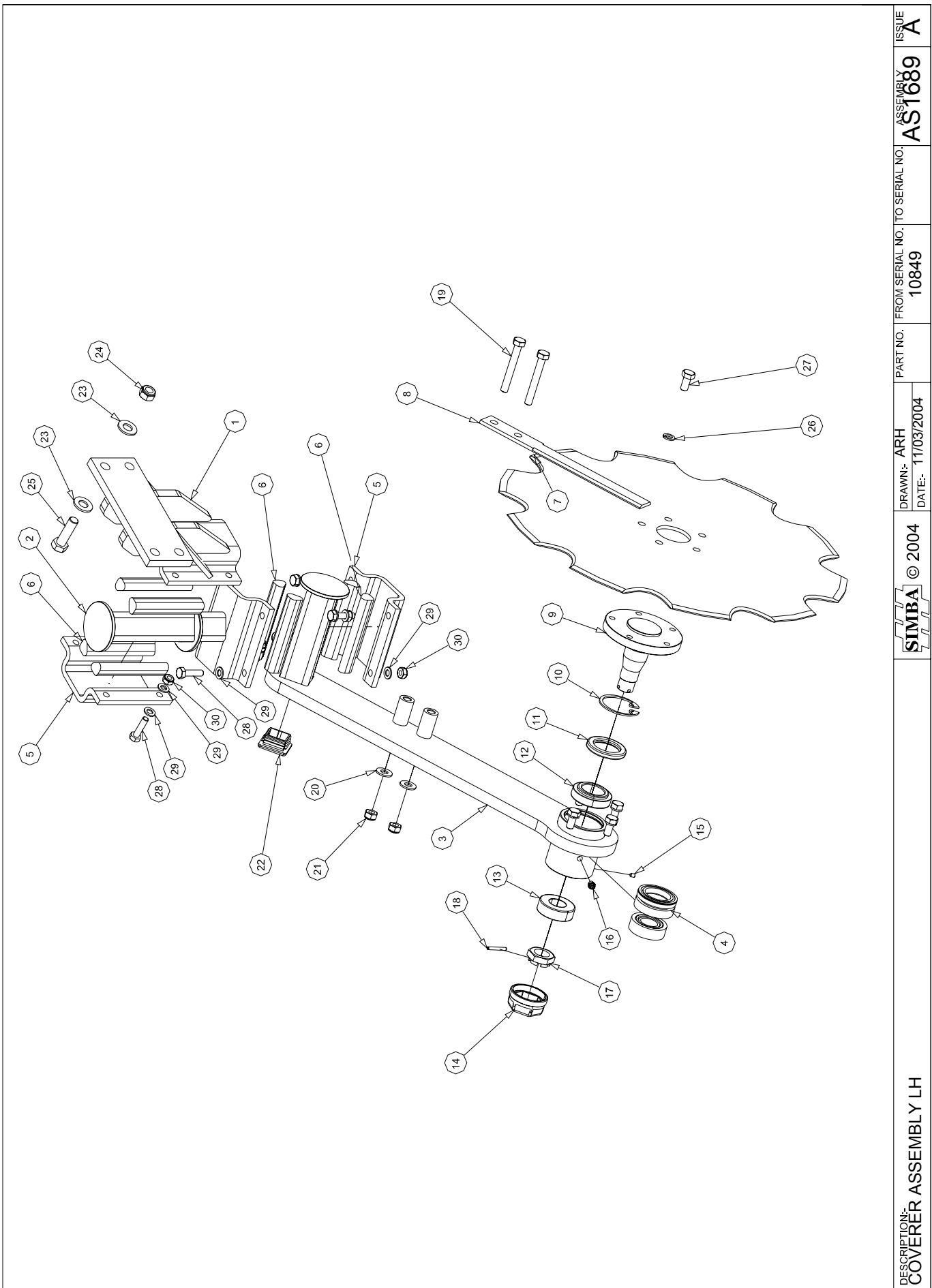
PART NO. 10849

FROM SERIAL NO. TO SERIAL NO.
10849


ASSEMBLY
AS1688

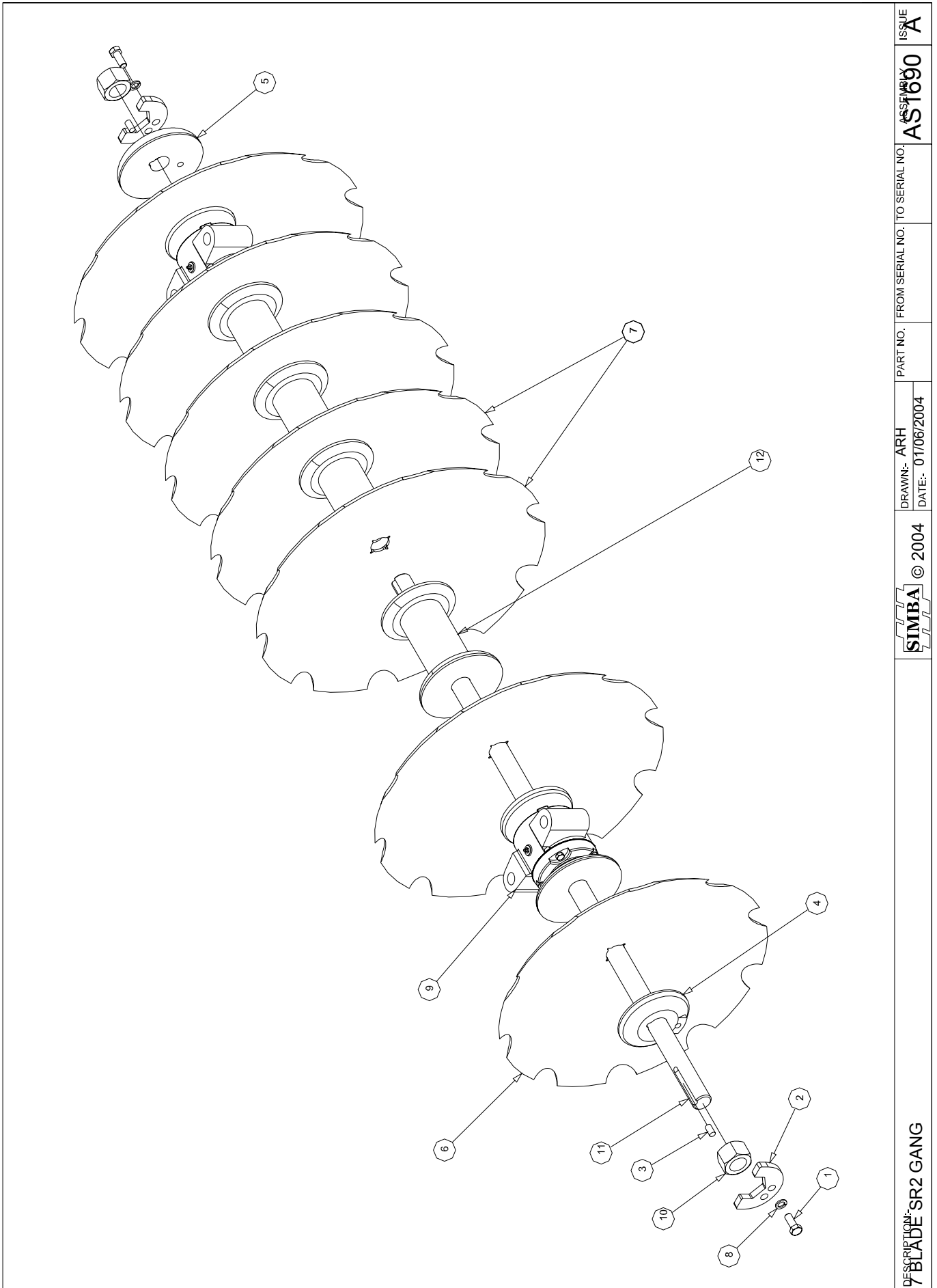
ISSUE
A

AS1688		COVERER ASSEMBLY RH SOLO 330			
ITEM	PART NO	DESCRIPTION	QTY	COMMENTS	
1	J220112750	COVERER MOUNT RH	1		
2	J220112310	COVERER ARM PIVOT	1		
3	P11291	COVERER ARM RH	1		
4	P12415	BEARING + SEAL KIT COMPLETE	1	CONTAINS ITEMS 11, 12, 13	
5	J220112770	BASE PLATE	2		
6	P11590	RUBBER ROD Ø28x140	8		
7	J220112790	LOCK NUT - COVERER	1		
8	J811012460	DISC COULTER - Ø24"	1		
9	P10543	SCRAPER	1		
10	J220211381	SPINDLE	1		
11	J914200680	CIRCLIP Ø68 DIN472	1		
12	J932224519	SEAL Ø68xØ45x9	1		
13	J951332008	BEARING 32008X	1		
14	J951332206	BEARING 32206	1		
15	J911131272	NUT CASTLE M27x2	1		
16	J913010636	ROLL PIN Ø5x36	1		
17	P00071	NIPPLE GREASE M10x1	1		
18	P12910	GRUB SCREW M6x8	1		
19	J220211770	HUB CAP	1	SEE NOTE	
20	P02652	BOLT M12x90 GR. 8.8	2	SEE NOTE	
21	P02601	WASHER FLAT M12	2	SEE NOTE	
22	P05534	NUT LOCK M10	10		
23	P07544	PLASTIC END CAP 50x50	1		
24	P02602	WASHER FLAT M16	8		
25	P02008	NUT LOCK M16	4		
26	P11494	BOLT M16x55 GR. 8.8	4		
27	P00001	BOLT M10x40 GR.8.8	8		
28	P02600	WASHER FLAT M10	16		
29	P11032	BOLT M12x25 GR. 8.8	5		
30	P02037	WASHER SPRING M12	5		
31					
32					
33					
34		NOTE - ITEMS 11, 12, 13 NOT AVAILABLE SEPARATELY			
35					
36					
37					
38					
39					
40					
41					
42					
43					
44					
45					
46					
47					
48					
49					
50					




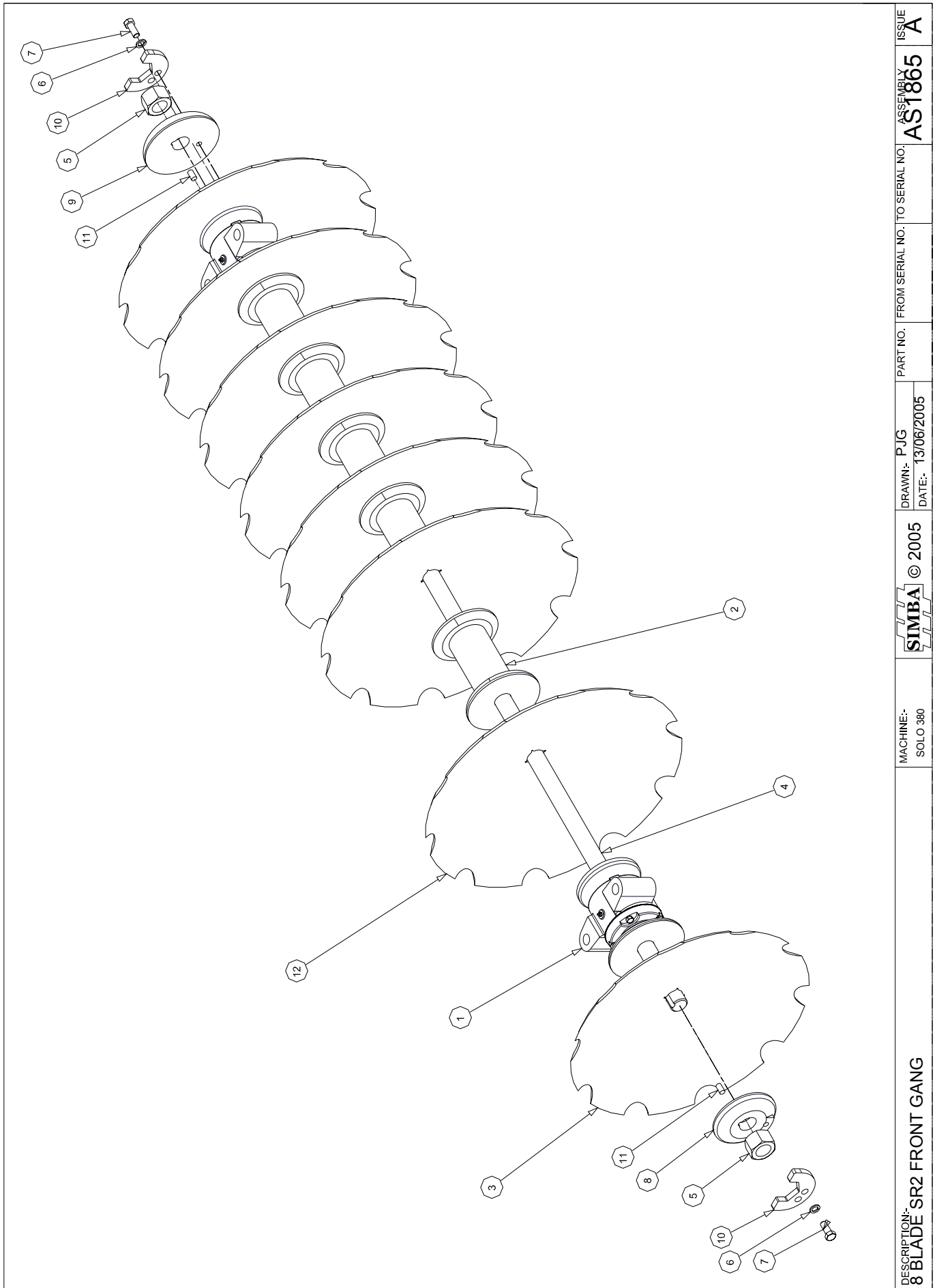
DESCRIPTION: COVERER ASSEMBLY LH	SIMBA © 2004	DRAWN: ARH DATE: 11/03/2004	PART NO. 10849	FROM SERIAL NO. TO SERIAL NO. 10849	ASSEMBLY NO. AS1689	ISSUE A
-------------------------------------	--------------	--------------------------------	----------------	--	------------------------	------------

AS1689		COVERER ASSEMBLY LH SOLO 330		
ITEM	PART NO	DESCRIPTION	QTY	COMMENTS
1	J220112260	COVERER MOUNT	1	
2	J220112300	COVERER ARM MOUNT	1	
3	J220112350	COVERER ARM LH	1	
4	P12415	BEARING + SEAL KIT COMPLETE	1	CONTAINS ITEMS 11, 12, 13
5	J220112770	BASE PLATE	2	
6	P11590	RUBBER ROD Ø28x140	8	
7	J811012460	DISC COULTER - Ø24"	1	
8	P10543	SCRAPER	1	
9	J220211381	SPINDLE	1	
10	J914200680	CIRCLIP Ø68 DIN472	1	
11	J932224519	SEAL Ø68xØ45x9	1	
12	J951332008	BEARING 32008X	1	
13	J951332206	BEARING 32206	1	
14	J220211770	HUB CAP	1	
15	P12910	GRUB SCREW M6x8	1	
16	P00071	NIPPLE GREASE M10x1	1	
17	J911131272	NUT CASTLE M27x2	1	
18	J913010636	ROLL PIN Ø5x36	1	SEE NOTE
19	P02652	BOLT M12x90 GR. 8.8	2	SEE NOTE
20	P02601	WASHER FLAT M12	2	SEE NOTE
21	P02007	NUT LOCK M12	2	
22	P07544	PLASTIC END CAP 50x50	1	
23	P02602	WASHER FLAT M16	8	
24	P02008	NUT LOCK M16	4	
25	P11494	BOLT M16x55 GR. 8.8	4	
26	P02037	WASHER SPRING M12	5	
27	P11032	BOLT M12x25 GR. 8.8	5	
28	P00001	BOLT M10x40 GR.8.8	8	
29	P02600	WASHER FLAT M10	16	
30	P05534	NUT LOCK M10	8	
31				
32				
33				
34		NOTE - ITEMS 11, 12, 13 NOT AVAILABLE SEPARATELY		
35				
36				
37				
38				
39				
40				
41				
42				
43				
44				
45				
46				
47				
48				
49				
50				




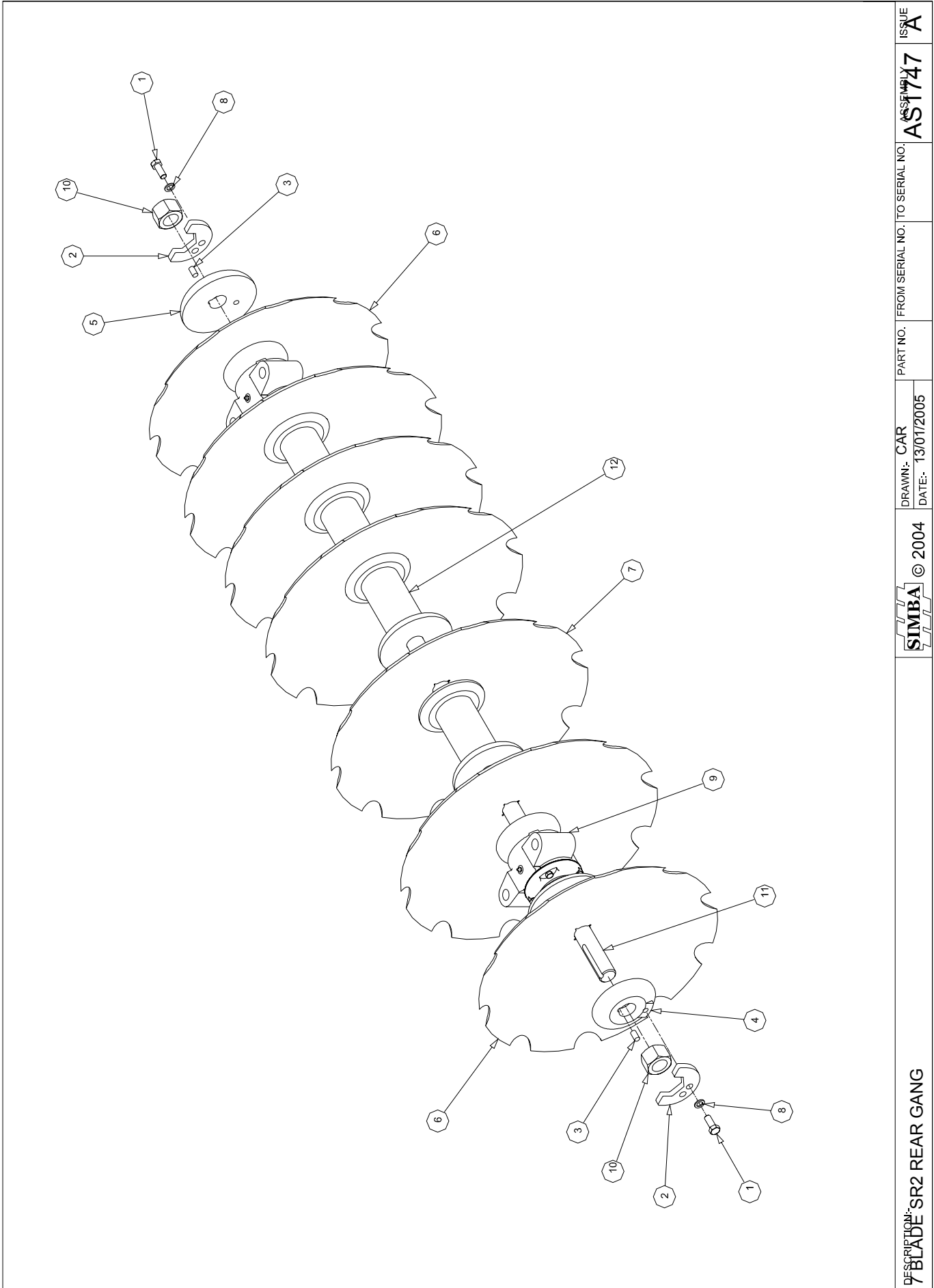
DESCRIPTION: SR2 GANG	DATE: 01/06/2004	ISSUE A
DRAWN: ARH	FROM SERIAL NO. TO SERIAL NO.	ASSEMBLY
SIMBA © 2004	PART NO.	AS1690

AS1690		DISC AXLE ASSEMBLY 7 BLADE @ 250mm		
ITEM	PART NO	DESCRIPTION	QTY	COMMENTS
1	P00007	BOLT M16x40 GR. 8.8	2	
2	P00249	LOCKING PLATE	2	J220112580
3	P00250	LOCKING KEY	2	J911119456
4	P00251	CONVEX SPACER SERIES 2	1	
5	P00254	CONCAVE SPACER SERIES 2	1	
6	P00280	DISC BLADE CUTAWAY Ø650 COMB.	1	
7	P00282	DISC BLADE CUTAWAY Ø700 COMB.	6	
8	P02038	WASHER SPRING M16	2	
9	P03133	BEARING UNIT S2 COMPLETE	2	
10	P12174	NUT PLAIN M45x3	2	
11	P12775	AXLE M45x1660 EN 16 T	1	
12	P13555	SPOOL - 250mm	4	NOT EQUIV. P00253
13				
14				
15				
16				
17				
18				
19				
20				
21				
22				
23				
24				
25				
26				
27				
28				
29				
30				
31				
32				
33				
34				
35				
36				
37				
38				
39				
40				
41				
42				
43				
44				
45				
46				
47				
48				
49				
50				




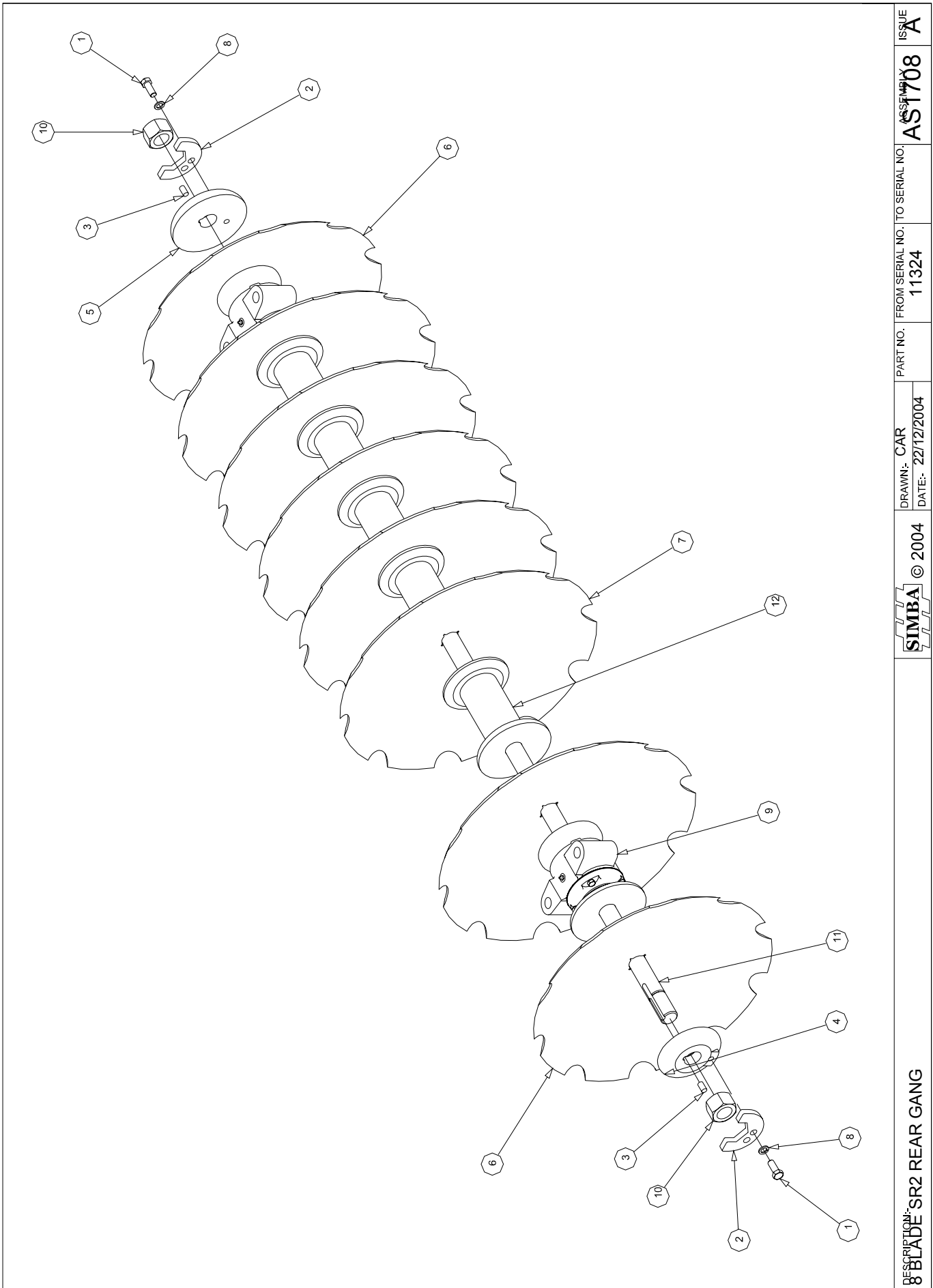
MACHINE:- SOLO 380		DRAWN:- PJG DATE:- 13/06/2005		PART NO. FROM SERIAL NO. TO SERIAL NO.		ASSEMBLY AS1865		ISSUE A
DESCRIPTION:- 8 BLADE SR2 FRONT GANG								

AS1865		8 BLADE SR2 FRONT GANG		
ITEM	PART NO	DESCRIPTION	QTY	COMMENTS
1	P03133	BEARING UNIT S2 COMPLETE	2	
2	P13555	SPOOL - 250mm	5	NOT EQUIV. P00253
3	P00280	DISC BLADE CUTAWAY Ø650 COMB.	1	
4	P12692	AXLE DISC M45x1930 EN 16 T	1	
5	P12174	NUT PLAIN M45x3	2	
6	P02038	WASHER SPRING M16	2	
7	P00007	BOLT M16x40 GR. 8.8	2	
8	P00251	CONVEX SPACER SERIES 2	1	
9	P00254	CONCAVE SPACER SERIES 2	1	
10	P00249	LOCKING PLATE	2	
11	P00250	LOCKING KEY	2	
12	P00282	DISC BLADE CUTAWAY Ø700 COMB.	7	
13				
14				
15				
16				
17				
18				
19				
20				
21				
22				
23				
24				
25				
26				
27				
28				
29				
30				
31				
32				
33				
34				
35				
36				
37				
38				
39				
40				
41				
42				
43				
44				
45				
46				
47				
48				
49				
50				




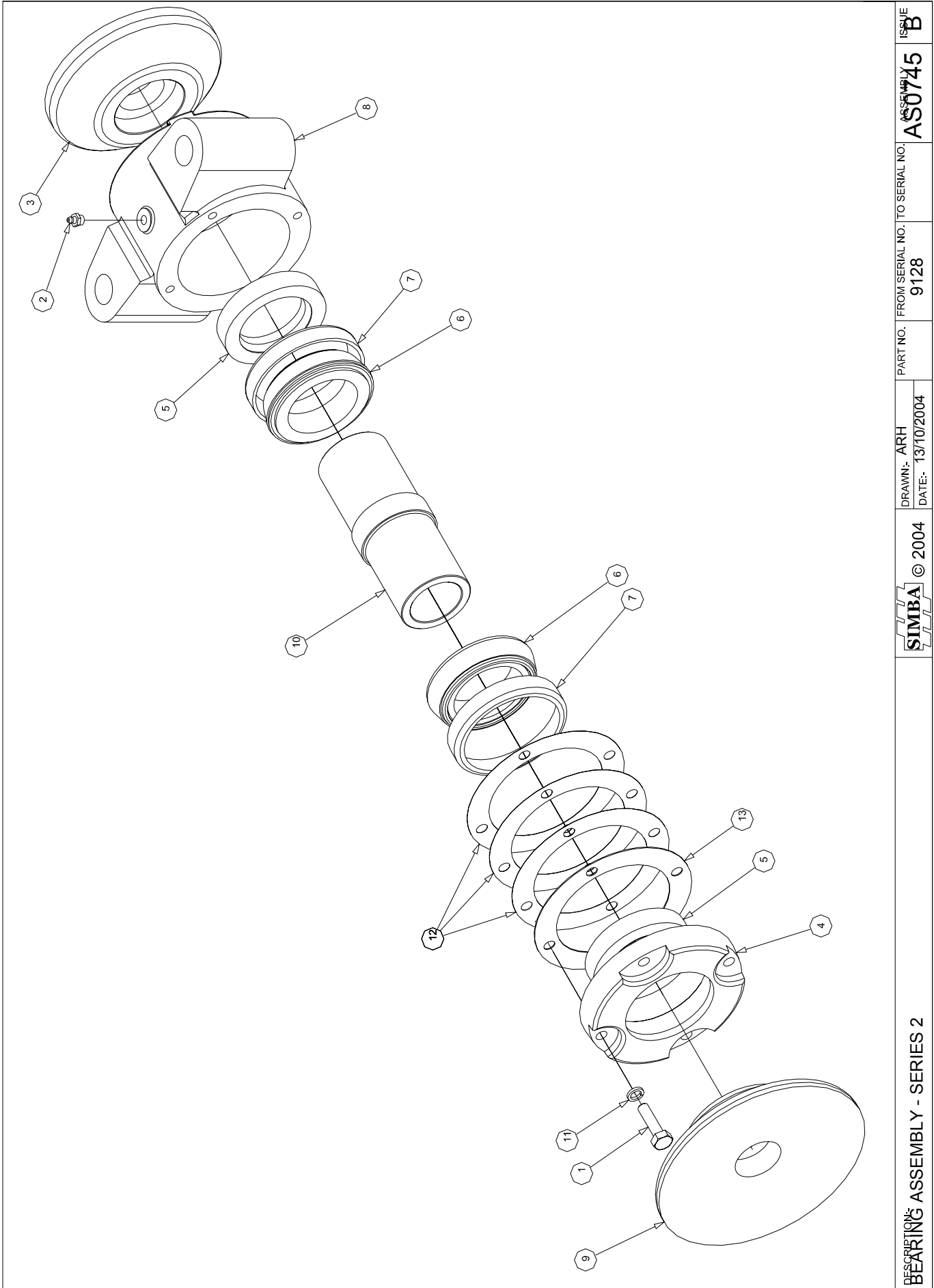
DESCRIPTION: SR2 REAR GANG	DATE: 13/01/2005	ISSUE: A
DRAWN: CAR	FROM SERIAL NO. TO SERIAL NO.	ASSEMBLY: AS1747
DATE: 13/01/2005	PART NO.	
© 2004		

AS1747		7 BLADE SR2 REAR GANG		
ITEM	PART NO	DESCRIPTION	QTY	COMMENTS
1	P00007	BOLT M16x40 GR. 8.8	2	
2	P00249	LOCKING PLATE	2	
3	P00250	LOCKING KEY	2	
4	P00251	CONVEX SPACER SERIES 2	1	
5	P00254	CONCAVE SPACER SERIES 2	1	
6	P00280	DISC BLADE CUTAWAY Ø650 COMB.	2	
7	P00282	DISC BLADE CUTAWAY Ø700 COMB.	5	
8	P02038	WASHER SPRING M16	2	
9	P03133	BEARING UNIT S2 COMPLETE	2	
10	P12174	NUT PLAIN M45x3	2	
11	P12775	AXLE M45x1660 EN 16 T	1	
12	P13555	SPOOL - 250mm	4	NOT EQUIV. P00253
13				
14				
15				
16				
17				
18				
19				
20				
21				
22				
23				
24				
25				
26				
27				
28				
29				
30				
31				
32				
33				
34				
35				
36				
37				
38				
39				
40				
41				
42				
43				
44				
45				
46				
47				
48				
49				
50				




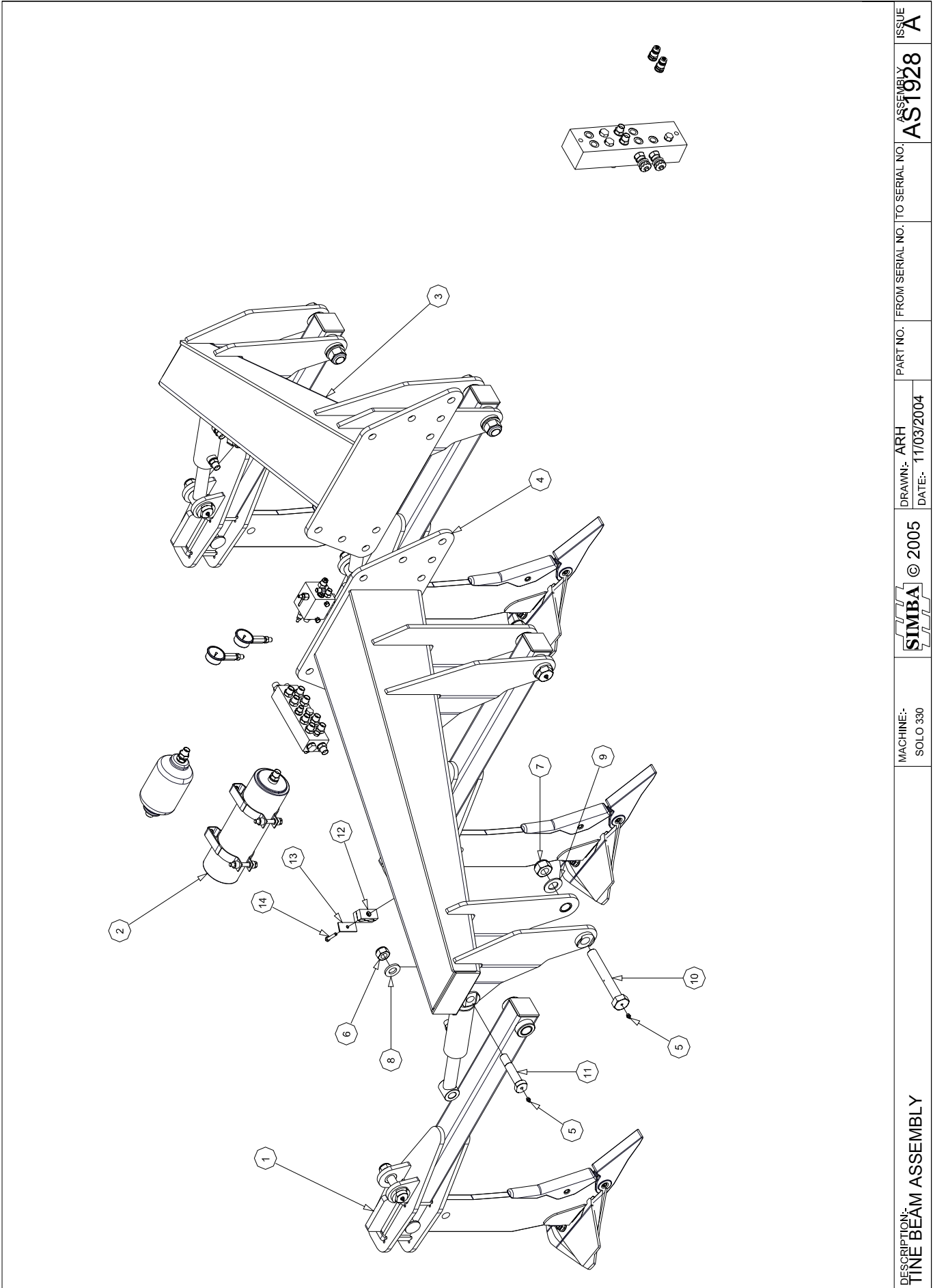
DESCRIPTION: SR2 REAR GANG		DRAWN: CAR		PART NO.		FROM SERIAL NO. TO SERIAL NO.		ASSEMBLY		ISSUE	
		DATE: 22/12/2004				11324		AS1708		A	
SIMBA © 2004											

AS1708		8 BLADE SR2 REAR GANG		
ITEM	PART NO	DESCRIPTION	QTY	COMMENTS
1	P00007	BOLT M16x40 GR. 8.8	2	
2	P00249	LOCKING PLATE	2	
3	P00250	LOCKING KEY	2	
4	P00251	CONVEX SPACER SERIES 2	1	
5	P00254	CONCAVE SPACER SERIES 2	1	
6	P00280	DISC BLADE CUTAWAY Ø650 COMB.	2	
7	P00282	DISC BLADE CUTAWAY Ø700 COMB.	6	
8	P02038	WASHER SPRING M16	2	
9	P03133	BEARING UNIT S2 COMPLETE	2	
10	P12174	NUT PLAIN M45x3	2	J911119456
11	P12692	AXLE DISC M45x1930 EN 16 T	1	
12	P13555	SPOOL - 250mm	5	NOT EQUIV. P00253
13				
14				
15				
16				
17				
18				
19				
20				
21				
22				
23				
24				
25				
26				
27				
28				
29				
30				
31				
32				
33				
34				
35				
36				
37				
38				
39				
40				
41				
42				
43				
44				
45				
46				
47				
48				
49				
50				



DESCRIPTION: BEARING ASSEMBLY - SERIES 2	SIMBA © 2004	DRAWN:- ARH	FROM SERIAL NO.:	ISSUE
		DATE:- 13/10/2004	9128	B
		PART NO.:	ASSEMBLY NO.:	
			AS0745	

AS0745		BEARING ASSEMBLY SERIES 2		
ITEM	PART NO	DESCRIPTION	QTY	COMMENTS
1	P00001	BOLT M10x40 GR.8.8	4	
2	P00071	NIPPLE - GREASE	1	
3	P00217	END CAP - CONVEX	1	
4	P00218	BEARING END CAP SERIES 2	1	
5	P00220	SEAL - GREASE	2	
6	P00221 CONE	BEARING CONE - SERIES 2/3	2	
7	P00221 CUP	BEARING CUP - SERIES 2/3	2	
8	P00223	BEARING HOUSING SERIES 2	1	
9	P00224	BEARING END CAP CONCAVE	1	
10	P00222	BEARING SLEEVE S2	1	
11	P02035	WASHER SPRING M10	4	
12	P04030	GASKET Ø158xØ114x0.25mm	3	
13	P04031	GASKET Ø158xØ114x1.0mm	1	
14				
15				
16				
17				
18				
19				
20				
21				
22				
23				
24				
25				
26				
27				
28				
29				
30				
31				
32				
33				
34				
35				
36				
37				
38				
39				
40				
41				
42				
43				
44				
45				
46				
47				
48				
49				
50				



DESCRIPTION:
TINE BEAM ASSEMBLY

MACHINE:-
SOLO 330

SIMBA © 2005


DRAWN:- ARH
DATE:- 11/03/2004

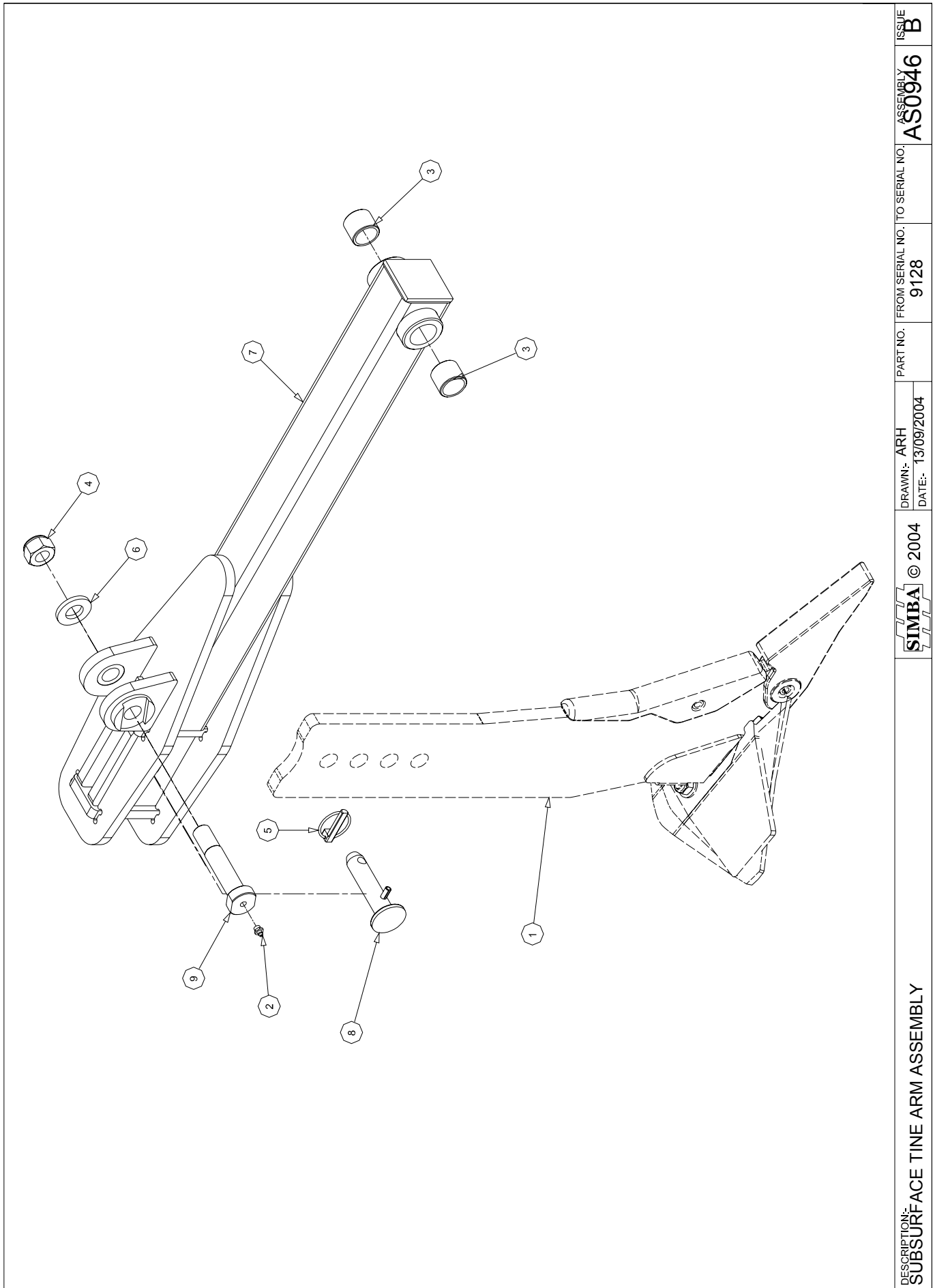
PART NO. | FROM SERIAL NO. | TO SERIAL NO.

ASSEMBLY
AS1928


ISSUE
A

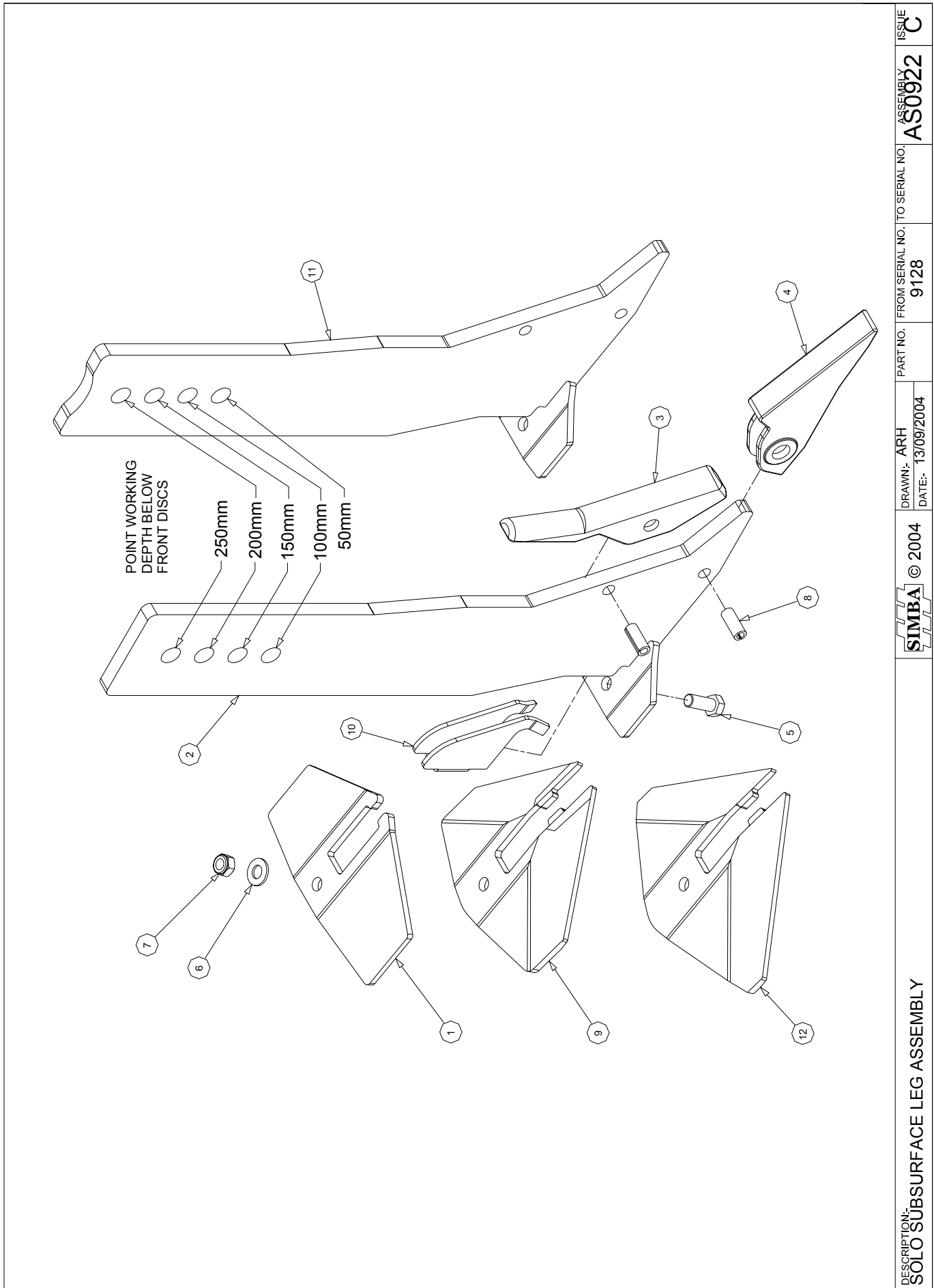


AS1928		TINE BEAM ASSEMBLY		
ITEM	PART NO	DESCRIPTION	QTY	COMMENTS
1	AS0946	SUBSURFACE TINE ARM ASSEMBLY	4	
2	AS1929	TINE HYDRAULIC CIRCUIT	1	
3	J220112000	TINE BEAM LH	1	
4	J220112010	TINE BEAM RH	1	
5	P00071	NIPPLE - GREASE	8	
6	P02010	NUT LOCK M24	4	
7	P02011	NUT LOCK M30	4	
8	P02604	WASHER FLAT M24 Ø50	4	
9	P02608	WASHER FLAT M30	4	
10	P09074	BOLT M30x210 GRS GR. 8.8	4	
11	P09075	BOLT M24x125 GRS	4	
12	P09112	CLAMP ½" BSP PAIR	4	
13	P09113	CLAMP - TOP PLATE	4	
14	P10278	BOLT M8x45 GR. 8.8	4	
15				
16				
17				
18				
19				
20				
21				
22				
23				
24				
25				
26				
27				
28				
29				
30				
31				
32				
33				
34				
35				
36				
37				
38				
39				
40				
41				
42				
43				
44				
45				
46				
47				
48				
49				
50				



DESCRIPTION: SUBSURFACE TINE ARM ASSEMBLY	© 2004	DRAWN:- ARH	PART NO.	FROM SERIAL NO. TO SERIAL NO.	ASSEMBLY	ISSUE
		DATE:- 13/09/2004		9128	AS0946	B

AS0946		TINE TRIP ARM ASSEMBLY 2001 SOLO		
ITEM	PART NO	DESCRIPTION	QTY	COMMENTS
1	AS0922	SOLO SUBSURFACE LEG ASSEMBLY	1	
2	P00071	NIPPLE - GREASE	1	
3	P01646	BUSH SPRUNG - Ø40xØ32x32	2	
4	P02010	NUT LOCK M24	1	
5	P02484	LYNCH PIN CAT 2	1	
6	P02604	WASHER FLAT M24 Ø50	1	
7	P09015	TRIP ARM - NON SHEAR	1	
8	P09073	PIN - Ø25x115	1	
9	P09075	BOLT M24x125 GRS	1	
10				
11				
12				
13				
14				
15				
16				
17				
18				
19				
20				
21				
22				
23				
24				
25				
26				
27				
28				
29				
30				
31				
32				
33				
34				
35				
36				
37				
38				
39				
40				
41				
42				
43				
44				
45				
46				
47				
48				
49				
50				



DESCRIPTION:
SOLO SUBSURFACE LEG ASSEMBLY


SIMBA © 2004

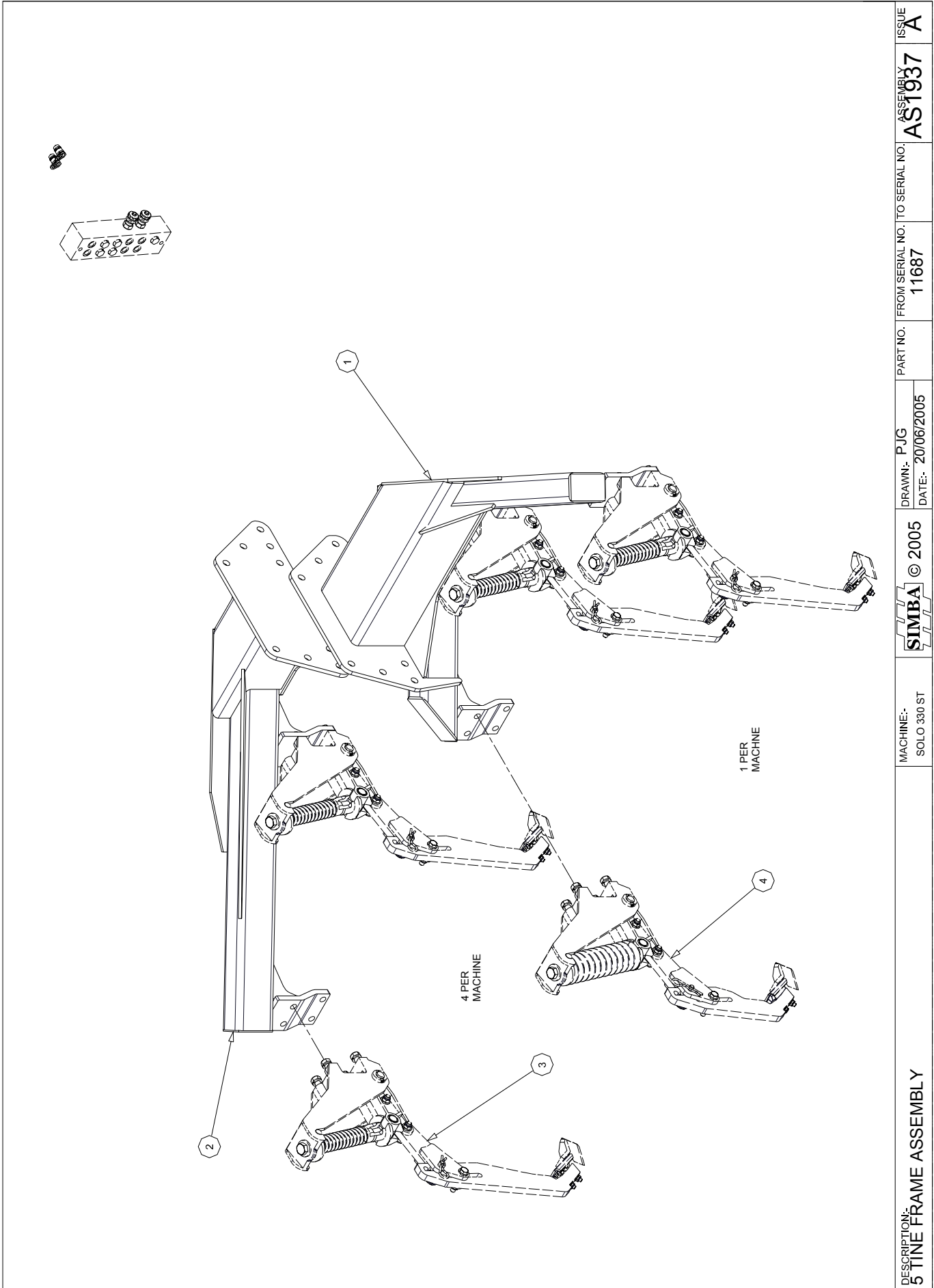
DRAWN: ARH
DATE: 13/09/2004

PART NO. FROM SERIAL NO. TO SERIAL NO.
9128

ASSEMBLY
AS0922


ISSUE
C

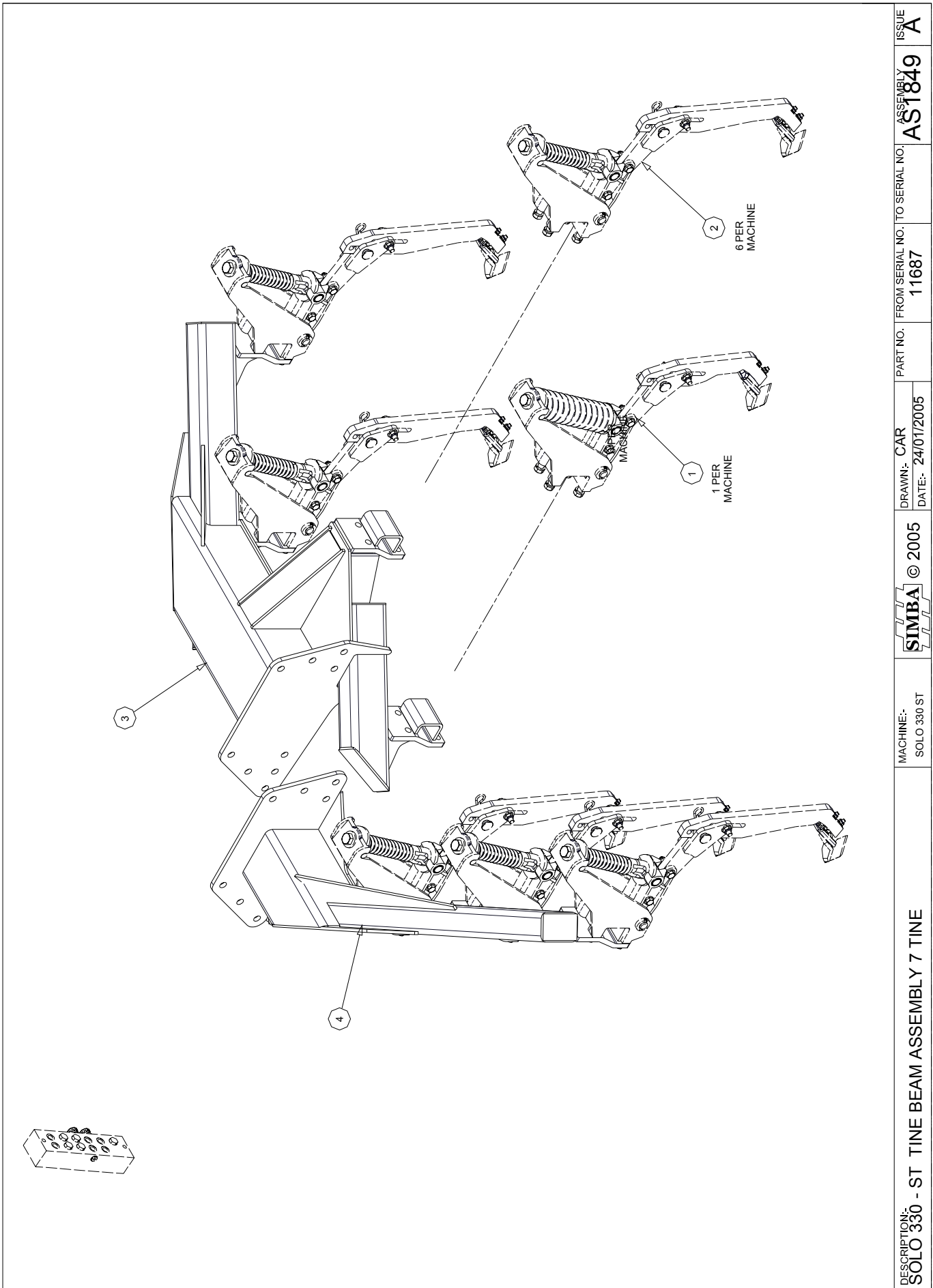
AS0922		TRIP RESET TINE ASSEMBLY 2001 SOLO			
ITEM	PART NO	DESCRIPTION	QTY	COMMENTS	
1	P09060	WING - PROLIFT LOW	1		
2	P10487	TINE - PINNED SHIN	1		
3	P10391	WEARSHIN NON REVERSIBLE	1		
4	P09148	POINT - PROLIFT CrFe	1		
5	P00007	BOLT M16x40 GR. 8.8	1		
6	P02602	WASHER FLAT M16	1		
7	P02008	NUT LOCK M16	1		
8	P02481	ROLL PIN Ø16x40	2		
9	P10392	WING - PROLIFT 250mm	1		
10	P11181	WEAR SHROUD	1		
11	P11464	TINE - SOLO 2002 - 50mm	1		
12	P10411	WING - PROLIFT 350mm	1		
13					
14					
15					
16					
17					
18					
19					
20					
21					
22					
23					
24					
25					
26					
27					
28					
29					
30					
31					
32					
33					
34					
35					
36					
37					
38					
39					
40					
41					
42					
43					
44					
45					
46					
47					
48					
49					
50					



DESCRIPTION: 5 TINE FRAME ASSEMBLY		MACHINE: SOLO 330 ST	SIMBA © 2005		DRAWN:- PJG DATE:- 20/06/2005	PART NO.	FROM SERIAL NO. 11687	TO SERIAL NO.	ASSEMBLY AS1937	ISSUE A
---------------------------------------	--	-------------------------	--------------	--	----------------------------------	----------	-----------------------	---------------	--------------------	------------




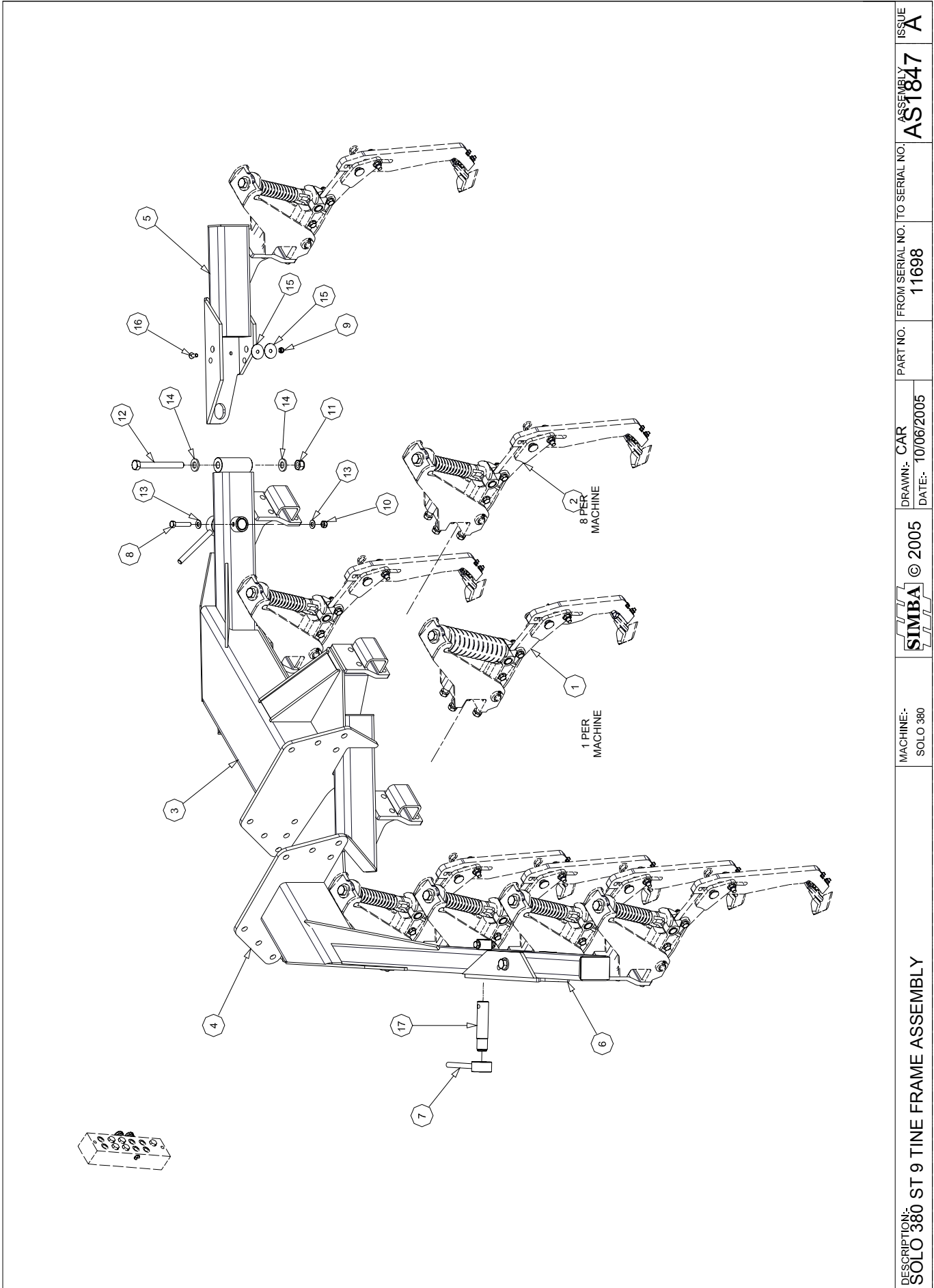
AS1937		SOLO 330 ST 5 TINE FRAME ASSSEMBLY		
ITEM	PART NO	DESCRIPTION	QTY	COMMENTS
1	J220105010	TOOL BAR RH	1	
2	J220105020	TOOL BAR LH	1	
3	AS1704	SOLO ST TINE ASSEMBLY	4	
4	AS1632	TINE - ST TYPE CTR.	1	
5				
6				
7				
8				
9				
10				
11				
12				
13				
14				
15				
16				
17				
18				
19				
20				
21				
22				
23				
24				
25				
26				
27				
28				
29				
30				
31				
32				
33				
34				
35				
36				
37				
38				
39				
40				
41				
42				
43				
44				
45				
46				
47				
48				
49				
50				



DESCRIPTION: SOLO 330 - ST TINE BEAM ASSEMBLY 7 TINE	MACHINE:- SOLO 330 ST	SIMBA © 2005	DRAWN:- CAR	PART NO.	FROM SERIAL NO. TO SERIAL NO.	ASSEMBLY	ISSUE
			DATE:- 24/01/2005	11687	11687	AS1849	A



AS1849		SOLO 330 ST - 7 TINE FRAME ASSEMBLY		
ITEM	PART NO	DESCRIPTION	QTY	COMMENTS
1	AS1632	TINE - ST TYPE CTR.	1	
2	AS1704	SOLO ST TINE ASSEMBLY	6	
3	J220125010	ST TOOL BAR RH	1	
4	J220125020	ST TOOL BAR LH	1	
5				
6				
7				
8				
9				
10				
11				
12				
13				
14				
15				
16				
17				
18				
19				
20				
21				
22				
23				
24				
25				
26				
27				
28				
29				
30				
31				
32				
33				
34				
35				
36				
37				
38				
39				
40				
41				
42				
43				
44				
45				
46				
47				
48				
49				
50				



DESCRIPTION:
SOLO 380 ST 9 TINE FRAME ASSEMBLY

MACHINE:-
SOLO 380


SIMBA © 2005

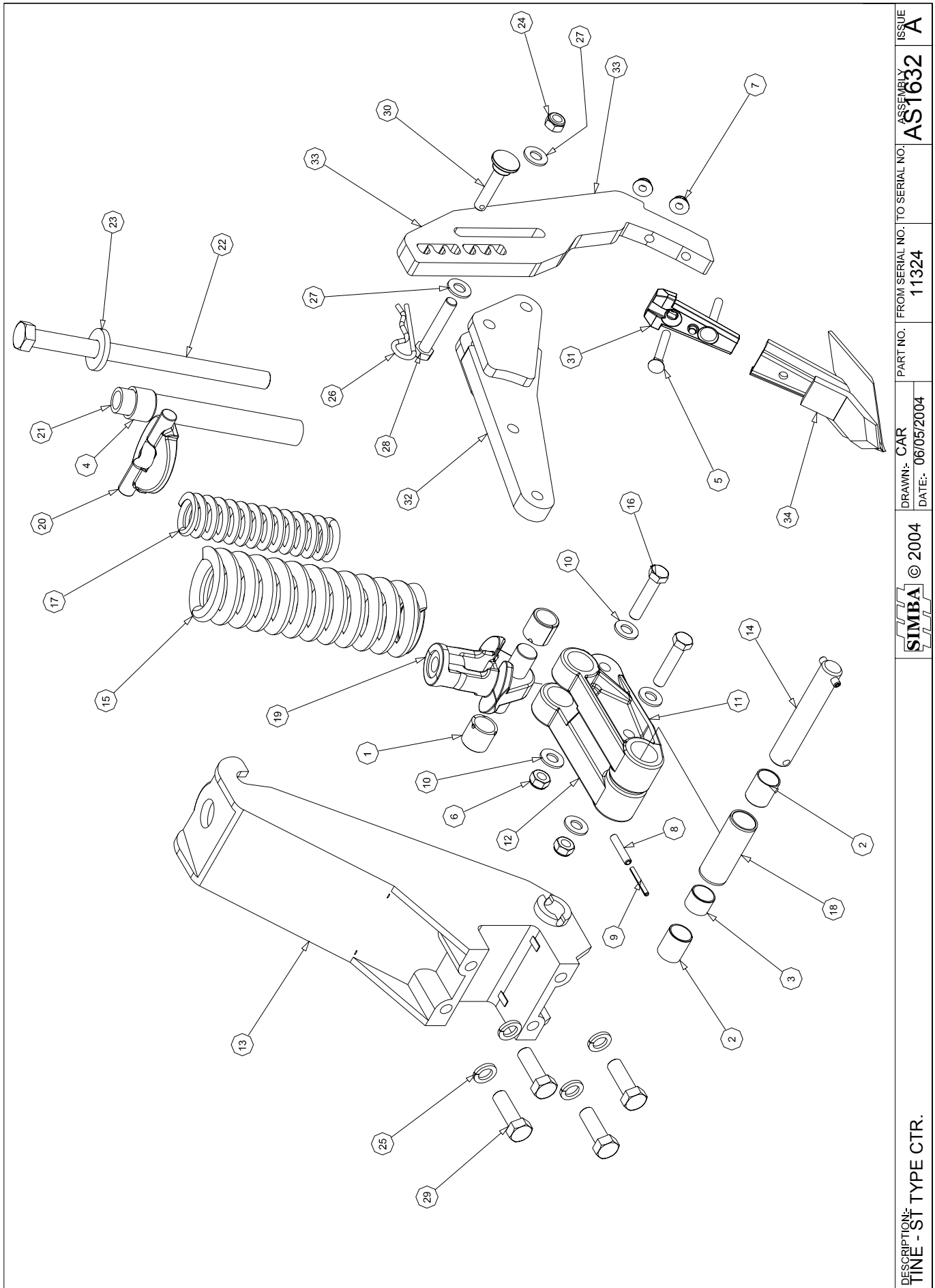
DRAWN:- CAR
DATE:- 10/06/2005

PART NO. FROM SERIAL NO. TO SERIAL NO.
11698


ASSEMBLY
AS1847

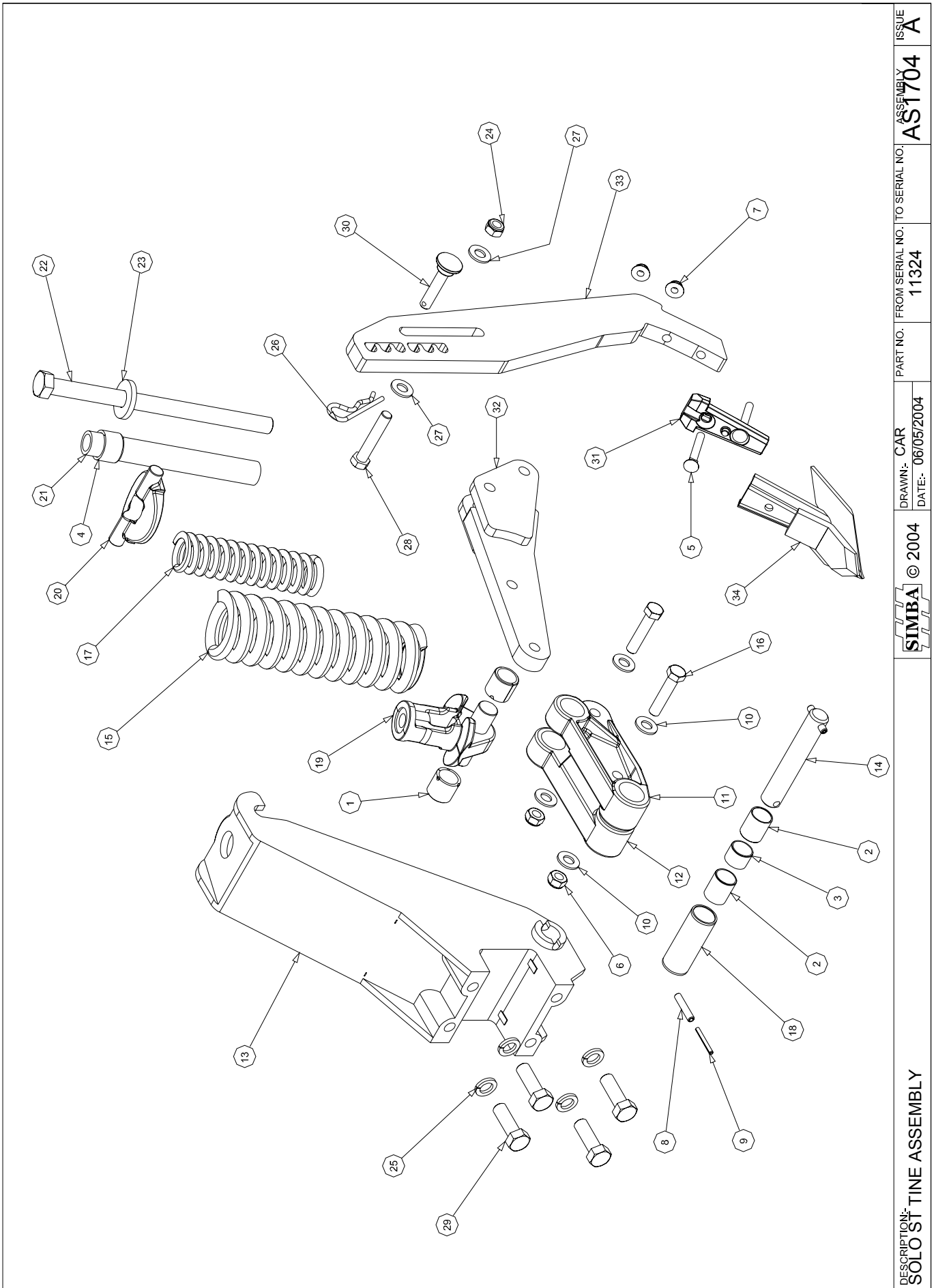
ISSUE
A

AS1847		SOLO 380 ST 9 TINE FRAME ASSEMBLY		
ITEM	PART NO	DESCRIPTION	QTY	COMMENTS
1	AS1632	TINE - ST TYPE CTR.	1	
2	AS1704	SOLO ST TINE ASSEMBLY	8	
3	J220135010	ST TOOL BAR - RH	1	
4	J220135020	ST TOOL BAR - LH	1	
5	J220135080	TINE ARM RH	1	
6	J220135090	TINE ARM LH	1	
7	J228300650	GANG LOCK NUT	2	
8	P01901	BOLT M16x80 GR. 8.8	2	
9	P02007	NUT LOCK M12	4	
10	P02008	NUT LOCK M16	2	
11	P02010	NUT LOCK M24	2	
12	P02267	BOLT M24x220 GR. 8.8	2	
13	P02602	WASHER FLAT M16	4	
14	P02604	WASHER FLAT M24 Ø50	4	
15	P08440	WASHER SHIM 0.5mm	8	Ø50xØ13
16	P08787	SCREW M12x35 CSK GR10.9	4	
17	P12803	TINE ARM LOCK BOLT	2	
18				
19				
20				
21				
22				
23				
24				
25				
26				
27				
28				
29				
30				
31				
32				
33				
34				
35				
36				
37				
38				
39				
40				
41				
42				
43				
44				
45				
46				
47				
48				
49				
50				




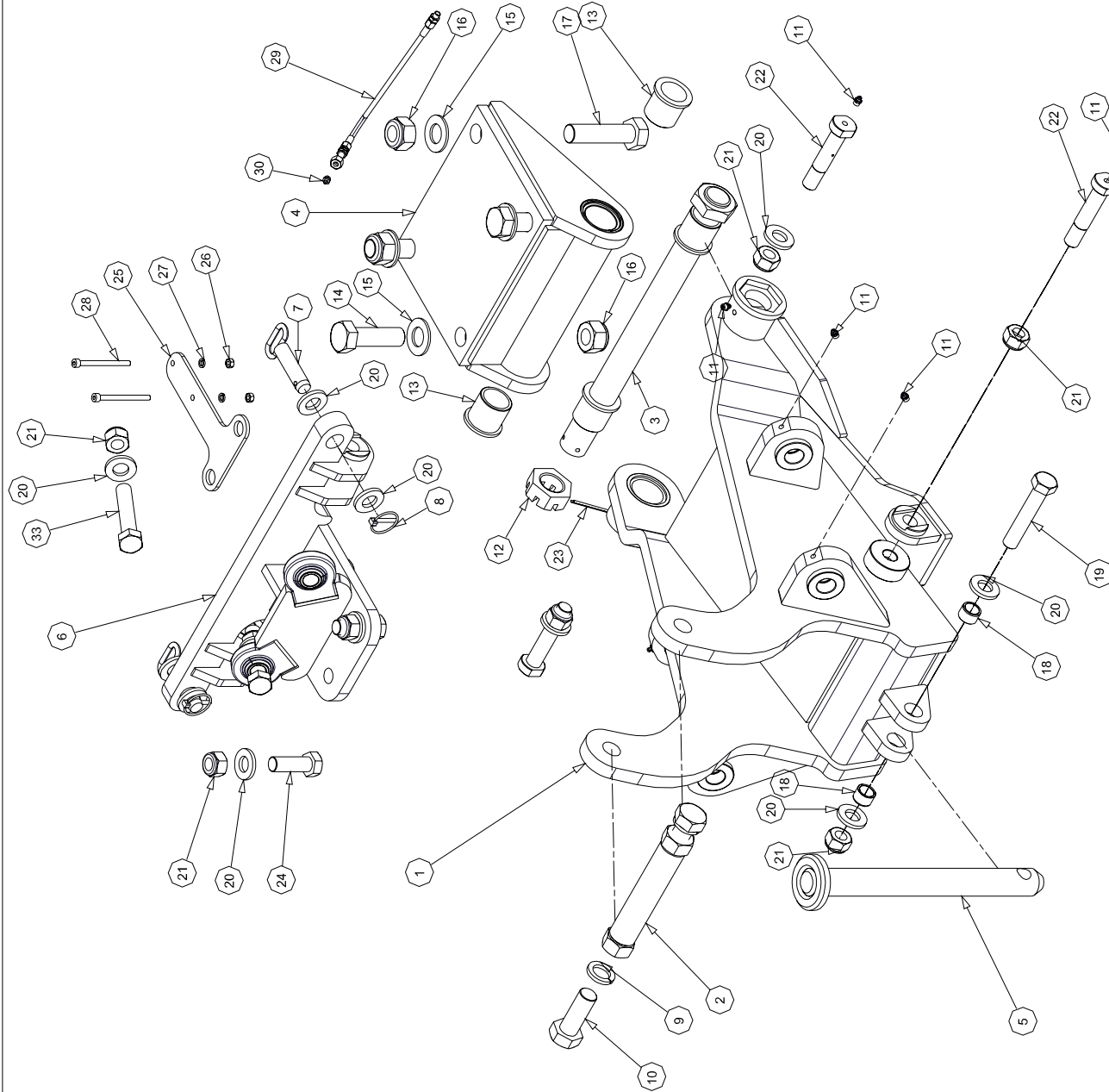
DRAWN- CAR DATE- 06/05/2004	PART NO. 11324	FROM SERIAL NO. TO SERIAL NO. 11324	ASSEMBLY AS1632	ISSUE
				A
SIMBA © 2004				DESCRIPTION: TINE - ST TYPE CTR.

AS1632A		SOLO ST CENTRE TINE			
ITEM	PART NO	DESCRIPTION	QTY	COMMENTS	
1	H00230085	BUSH Ø38xØ30x35	2		
2	H00230086	BUSH Ø34xØ30x40	2		
3	H00230087	BUSH Ø34xØ30x25	1		
4	H00230098	BUSH Ø44xØ36x30	1		
5	H00310153	BOLT M12x80 CSK SQ. 12.9	2		
6	H00350061	NUT LOCK M16	2		
7	H00350084	NUT LOCK M12 FLANGED	2		
8	H00370060	ROLL PIN Ø10x50	2		
9	H00370074	ROLL PIN Ø6x50	2		
10	H00370108	WASHER FLAT M16	4		
11	H34060801	TINE ARM LH	1		
12	H34060803	TINE ARM RH	1		
13	H34060806	CLAMP BASE	1		
14	H34060807	PIN Ø30x178	1		
15	H34060809	SPRING Ø84xØ19x372	1		
16	H34060813	BOLT M16x75 GR10.9	2		
17	H34060816	SPRING Ø50xØ10x273	1		
18	H34060822	BUSH Ø40xØ34x105	1		
19	H34060842	SPRING PIVOT	1		
20	H34060844	SPRING TOP PLATE	1		
21	H34060845	SPRING TUBE	1		
22	H34060846	BOLT M24x360 GR8.8	1		
23	H34080847	WASHER Ø57xØ26x8	1		
24	P02008	NUT LOCK M16	1		
25	P02332	WASHER SPRING M20	4		
26	P02485	R CLIP Ø6x120	1		
27	P02602	WASHER FLAT M16	2		
28	P02649	BOLT M16x90 GR. 8.8	1		
29	P03115	BOLT M20x60 GR. 8.8	4		
30	P05207	PIN Ø16x73	1		
31	P12711	WEDGE COMPLETE	1		
32	P12911	TERRAGRIP CONVERTER	1		
33	P13012	TINE - ST TYPE CTR.	1		
34	P13135	POINT KNOCK ON 100mm	1		
	P12713	POINT KNOCK ON 225mm	1	OPTION	
35					
36					
37					
38					
39					
40					
41					
42					
43					
44					
45					
46					
47					
48					
49					




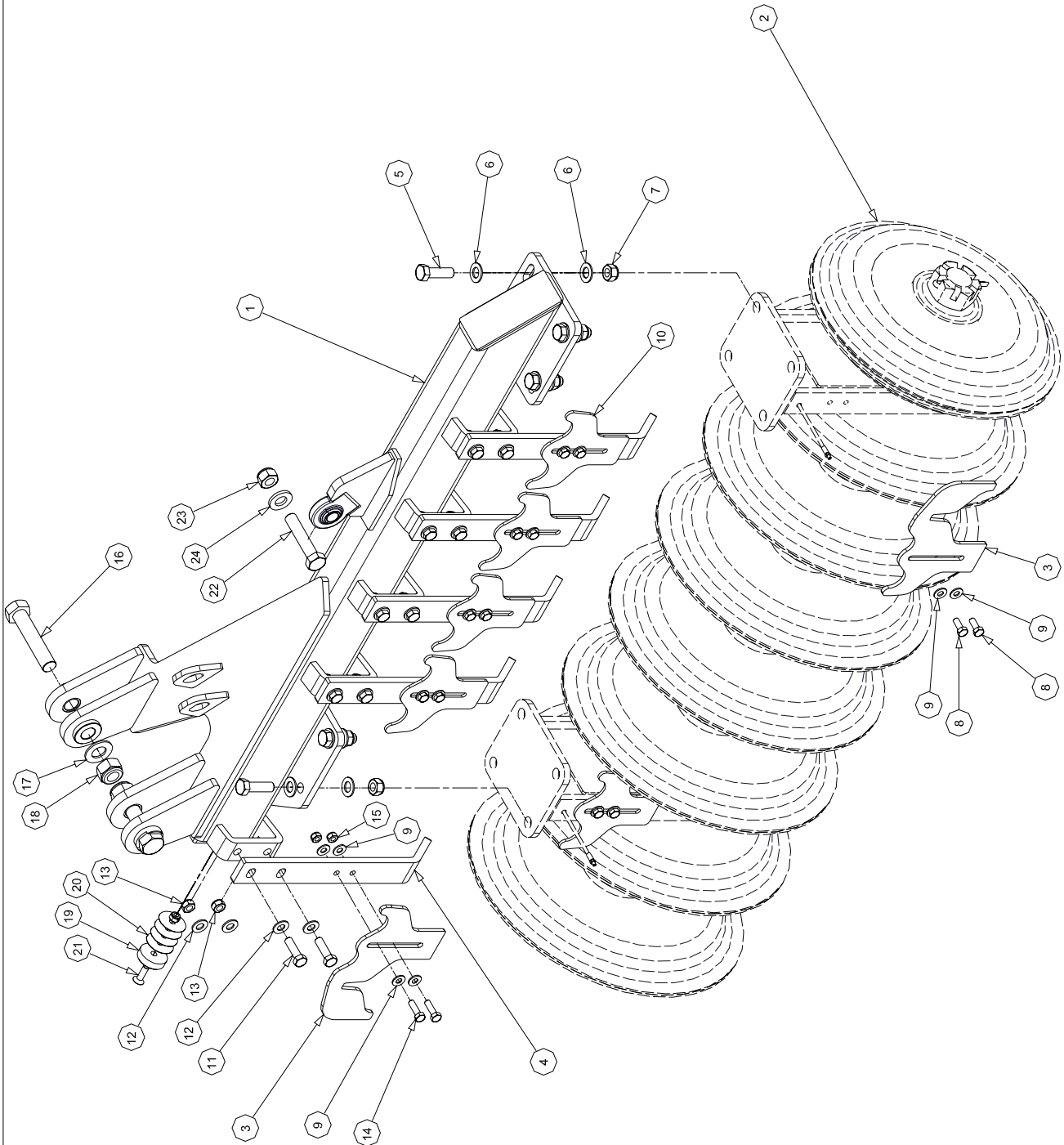
DESCRIPTION: SOLO ST TINE ASSEMBLY	SIMBA © 2004	DRAWN: CAR DATE: 06/05/2004	PART NO. AS1704	FROM SERIAL NO. TO SERIAL NO. 11324	ISSUE A

AS1704A		SOLO ST TINE		
ITEM	PART NO	DESCRIPTION	QTY	COMMENTS
1	H00230085	BUSH Ø38xØ30x35	2	
2	H00230086	BUSH Ø34xØ30x40	2	
3	H00230087	BUSH Ø34xØ30x25	1	
4	H00230098	BUSH Ø44xØ36x30	1	
5	H00310153	BOLT M12x80 CSK SQ. 12.9	2	
6	H00350061	NUT LOCK M16	2	
7	H00350084	NUT LOCK M12 FLANGED	2	
8	H00370060	ROLL PIN Ø10x50	2	
9	H00370074	ROLL PIN Ø6x50	2	
10	H00370108	WASHER FLAT M16	4	
11	H34060801	TINE ARM LH	1	
12	H34060803	TINE ARM RH	1	
13	H34060806	CLAMP BASE	1	
14	H34060807	PIN Ø30x178	1	
15	H34060809	SPRING Ø84xØ19x372	1	
16	H34060813	BOLT M16x75 GR10.9	2	
17	H34060816	SPRING Ø50xØ10x273	1	
18	H34060822	BUSH Ø40xØ34x105	1	
19	H34060842	SPRING PIVOT	1	
20	H34060844	SPRING TOP PLATE	1	
21	H34060845	SPRING TUBE	1	
22	H34060846	BOLT M24x360 GR8.8	1	
23	H34080847	WASHER Ø57xØ26x8	1	
24	P02008	NUT LOCK M16	1	
25	P02332	WASHER SPRING M20	4	
26	P02485	R CLIP Ø6x120	1	
27	P02602	WASHER FLAT M16	2	
28	P02649	BOLT M16x90 GR. 8.8	1	
29	P03115	BOLT M20x60 GR. 8.8	4	
30	P05207	PIN Ø16x73	1	
31	P12711	WEDGE COMPLETE	1	
32	P12911	TERRAGRIP CONVERTER	1	
33	P13093	TINE - ST TYPE	1	
34	P13135	POINT KNOCK ON 100mm	1	
	P12713	POINT KNOCK ON 225mm	1	OPTION
35				
36				
37				
38				
39				
40				
41				
42				
43				
44				
45				
46				
47				
48				
49				



DESCRIPTION:- ROLL CARRIAGE ASSEMBLY	MACHINE:- SOLO 330	© 2005	DRAWN:- PJG DATE:- 14/06/2005	PART NO.	FROM SERIAL NO. TO SERIAL NO. 11687	ASSEMBLY AS1884	ISSUE A
--	-----------------------	--------	----------------------------------	----------	--	---------------------------	-------------------

AS1884		SOLO 330 ROLL CARRIAGE ASSEMBLY		
ITEM	PART NO	DESCRIPTION	QTY	COMMENTS
1	J20112100	ROLL FRAME CARRIAGE	1	
2	P10507	CARRIAGE BOLT IN TIE	1	
3	J220112430	BOLT M45x545	1	
4	J220111060	ROLL FRAME MOUNT	1	
5	P10028	DEPTH CONTROL ROD	1	
6	J220110540	UPPER CYL MOUNT	1	
7	J913182401	PIN Ø24x92	2	
8	P02483	LYNCH PIN CAT 1	2	
9	P02598	WASHER SPRING M30	2	
10	P03471	BOLT M30x80 GR. 8.8	2	
11	J930001101	NIPPLE GREASE M10x1	10	
12	J911138453	NUT CASTLE M45	1	
13	P10005	BUSH Ø65xØ45x5	4	
14	P00054	BOLT M30x100 GR. 8.8	2	
15	P02608	WASHER FLAT M30	4	
16	P02011	NUT LOCK M30	4	
17	P12765	BOLT M30x120 GR. 8.8	2	
18	J912232420	BUSH Ø31.5xØ24.5x20	2	
19	P04536	BOLT M24x180 GR. 8.8	1	
20	P02604	WASHER FLAT M24 Ø50	16	
21	P02010	NUT LOCK M24	13	
22	P09075	BOLT M24x125 GRS	4	
23	P02488	PIN SPLIT Ø5x75	1	
24	P12792	BOLT M24x70 GR. 8.8	6	
25	J220111690	MANIFOLD MOUNT	1	
26	P01318	NUT PLAIN M8	2	
27	P08817	WASHER SPRING M8	2	
28	P08630	CAPSCREW M8x100 GR10.9	2	
29	P10038	GREASE PIPE 1/8"x400	1	
30	P00071	NIPPLE - GREASE	1	
31	P00771	BOLT M24x120 GR10.9	2	
32				
33				
34				
35				
36				
37				
38				
39				
40				
41				
42				
43				
44				
45				
46				
47				
48				
49				
50				



DESCRIPTION:-
DD ROLL RH WING ASSEMBLY

MACHINE:-
SOLO 330

SIMBA © 2005


DRAWN:- PJG
DATE:- 14/06/2005

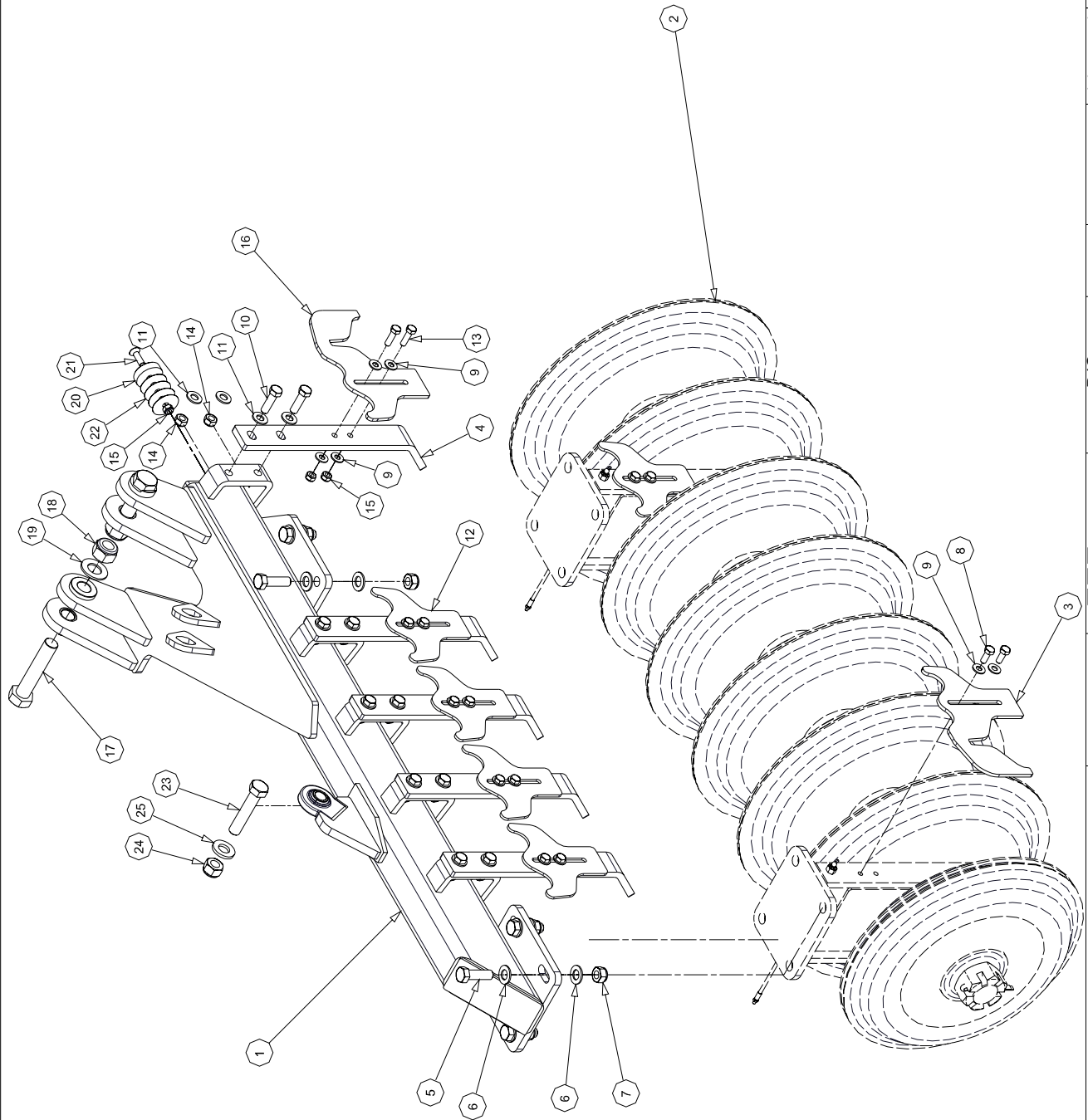
PART NO.
11687

FROM SERIAL NO. | TO SERIAL NO.
11687


ASSEMBLY
AS1869

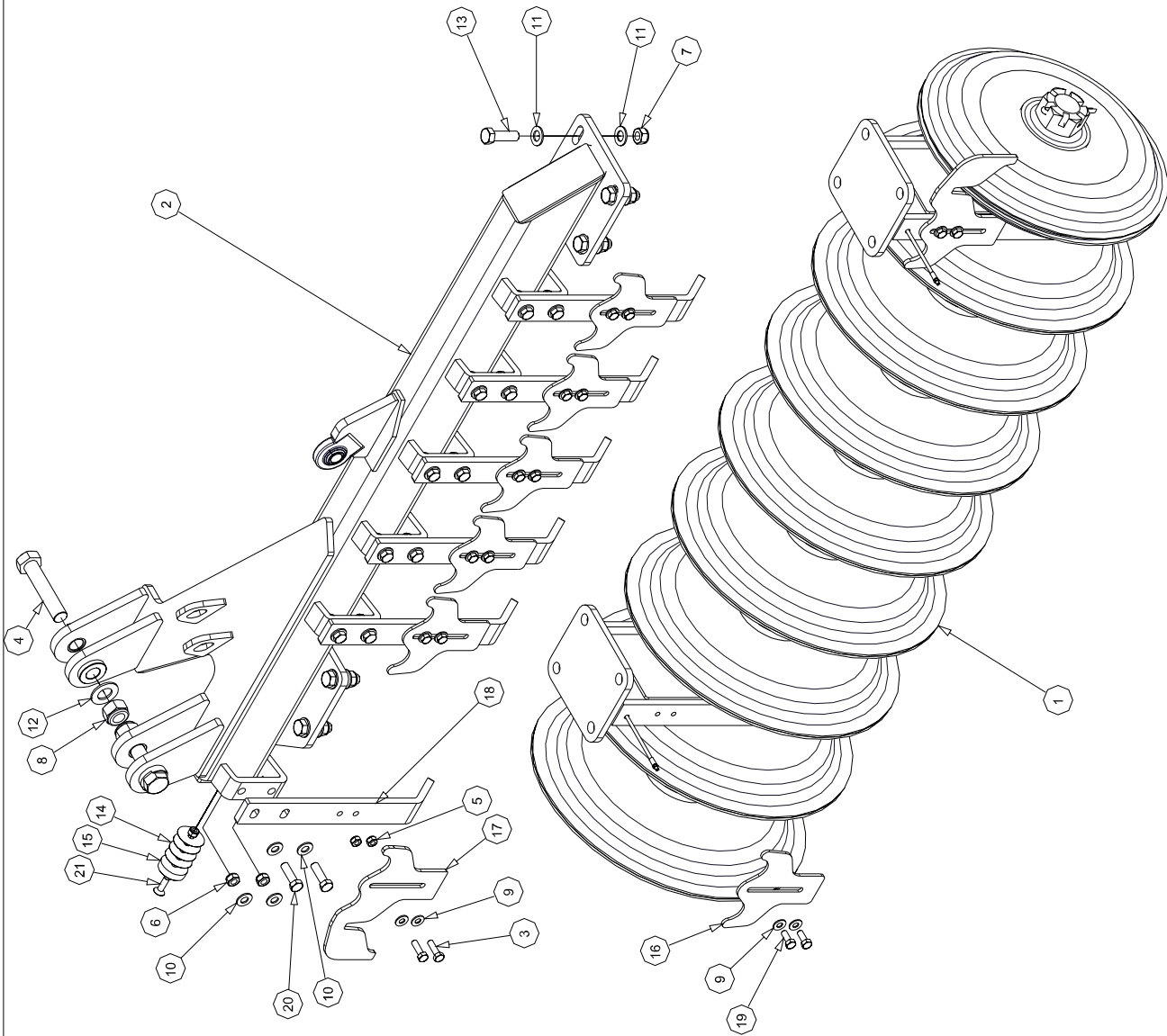
ISSUE
A

AS1869		DD ROLL RH WING ASSEMBLY		
ITEM	PART NO	DESCRIPTION	QTY	COMMENTS
1	J220111700	ROLL CARRIER RH	1	
2	AS1868	DD600 - AXLE ASSEMBLY - 8 RING C/W DD550 OUTBOARD & AS1867 PILLARS	1	
3	P10029	SCRAPER 1 1/2	2	
4	P10508	SCRAPER STEM - DD 600	5	
5	P02654	BOLT M20x65 GR. 8.8	8	
6	P02603	WASHER FLAT M20	16	
7	P02009	NUT LOCK M20	8	
8	P10870	BOLT M12x30 GR. 8.8	4	
9	P02601	WASHER FLAT M12	16	
10	P08607	SCRAPER PLATE DD RING SHORT	5	
11	P11494	BOLT M16x55 GR. 8.8	10	
12	P02602	WASHER FLAT M16	20	
13	P02008	NUT LOCK M16	10	
14	P00003	BOLT M12x40 GR. 8.8	10	
15	P02007	NUT LOCK M12	11	
16	P00983	BOLT M30x150 GR. 8.8	2	
17	P02608	WASHER FLAT M30	2	
18	P02011	NUT LOCK M30	2	
19	P08540	SHIM PAD	1	
20	P08440	WASHER SHIM 0.5mm	4	Ø50xØ13
21	P12788	SCREW M12x40 GR10.9 CSK SOCKET	1	
22	P00771	BOLT M24x120 GR10.9	1	
23	P02010	NUT LOCK M24	1	
24	P02604	WASHER FLAT M24 Ø50	1	
25				
26				
27				
28				
29				
30				
31				
32				
33				
34				
35				
36				
37				
38				
39				
40				
41				
42				
43				
44				
45				



DESCRIPTION:- DD ROLL LH WING ASSEMBLY	MACHINE:- SOLO 330	© 2005	DRAWN:- PJG DATE:- 14/06/2005	PART NO.	FROM SERIAL NO. 11687	TO SERIAL NO.	ASSEMBLY AS1883	ISSUE A

AS1883		SOLO 330 - DD ROLL LH WING			
ITEM					
1	J220111710	ROLL CARRIER LH	1		
2	AS1868	DD600 - AXLE ASSEMBLY - 8 RING C/W DD550 OUTBOARD & AS1867 PILLARS	1		
3	P10029	SCRAPER 1 1/2	1		
4	P10508	SCRAPER STEM - DD 600	5		
5	P02654	BOLT M20x65 GR. 8.8	8		
6	P02603	WASHER FLAT M20	16		
7	P02009	NUT LOCK M20	8		
8	P10870	BOLT M12x30 GR. 8.8	2		
9	P02601	WASHER FLAT M12	24		
10	P11494	BOLT M16x55 GR. 8.8	10		
11	P02602	WASHER FLAT M16	20		
12	P08607	SCRAPER PLATE DD RING SHORT	5		
13	P00003	BOLT M12x40 GR. 8.8	12		
14	P02008	NUT LOCK M16	10		
15	P02007	NUT LOCK M12	11		
16	1000451	PLATE 8mm	1		
17	P00983	BOLT M30x150 GR. 8.8	2		
18	P02011	NUT LOCK M30	2		
19	P02608	WASHER FLAT M30	2		
20	P08540	SHIM PAD	1		
21	P12788	SCREW M12x40 GR10.9 CSK SOCKET	1		
22	P08440	WASHER SHIM 0.5mm	4	Ø50xØ13	
23	P00771	BOLT M24x120 GR10.9	1		
24	P02010	NUT LOCK M24	1		
25	P02604	WASHER FLAT M24 Ø50	1		
26					
27					
28					
29					
30					
31					
32					
33					
34					
35					
36					
37					
38					
39					
40					
41					
42					
43					
44					
45					



DESCRIPTION:-
DD ROLL ASSEMBLY RH

MACHINE:-
SOLO 380

SIMBA © 2005


DRAWN:- PJG
DATE:- 17/06/2005

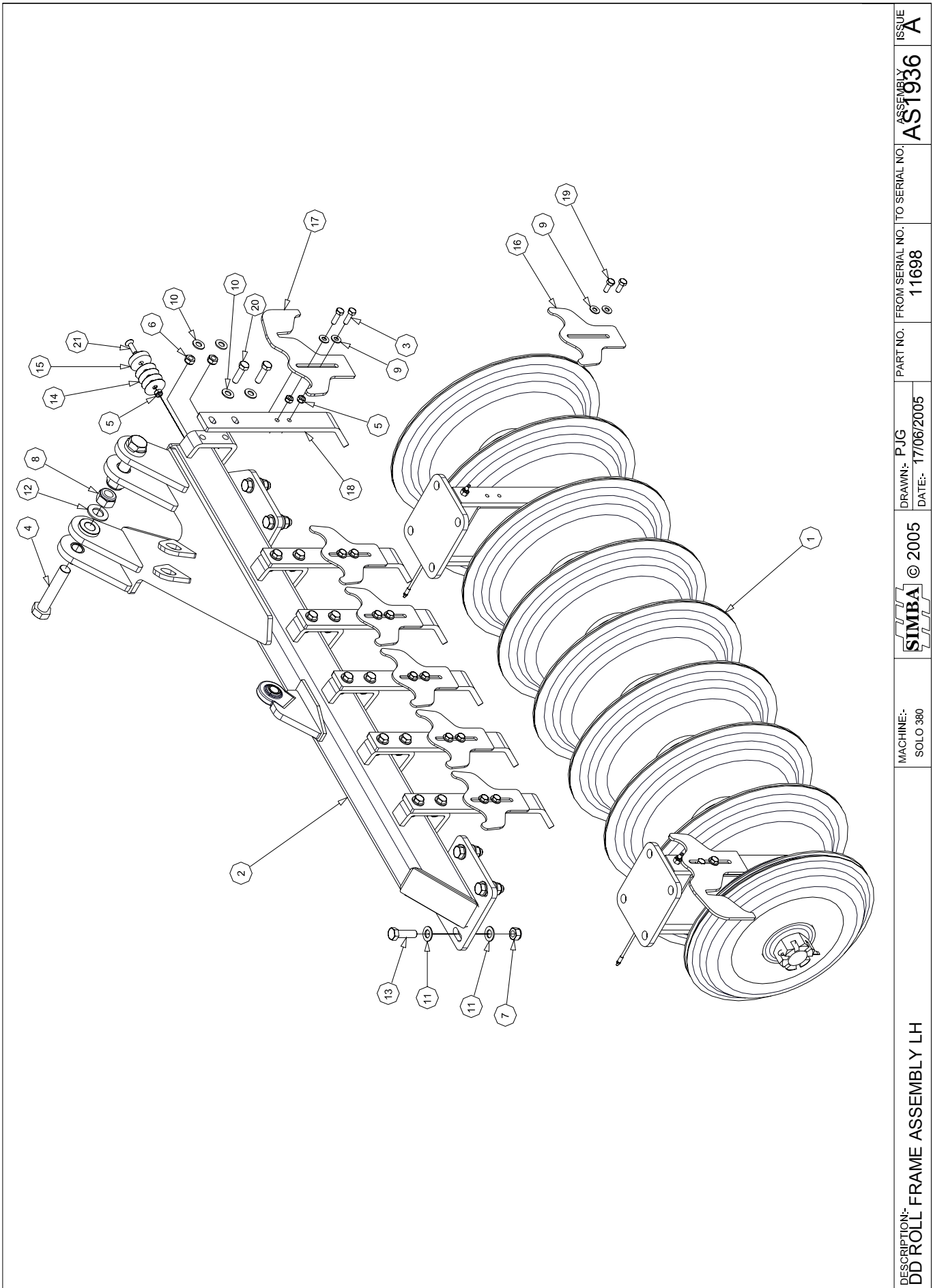
PART NO.
11698

FROM SERIAL NO. | TO SERIAL NO.
11698


ASSEMBLY
AS1885

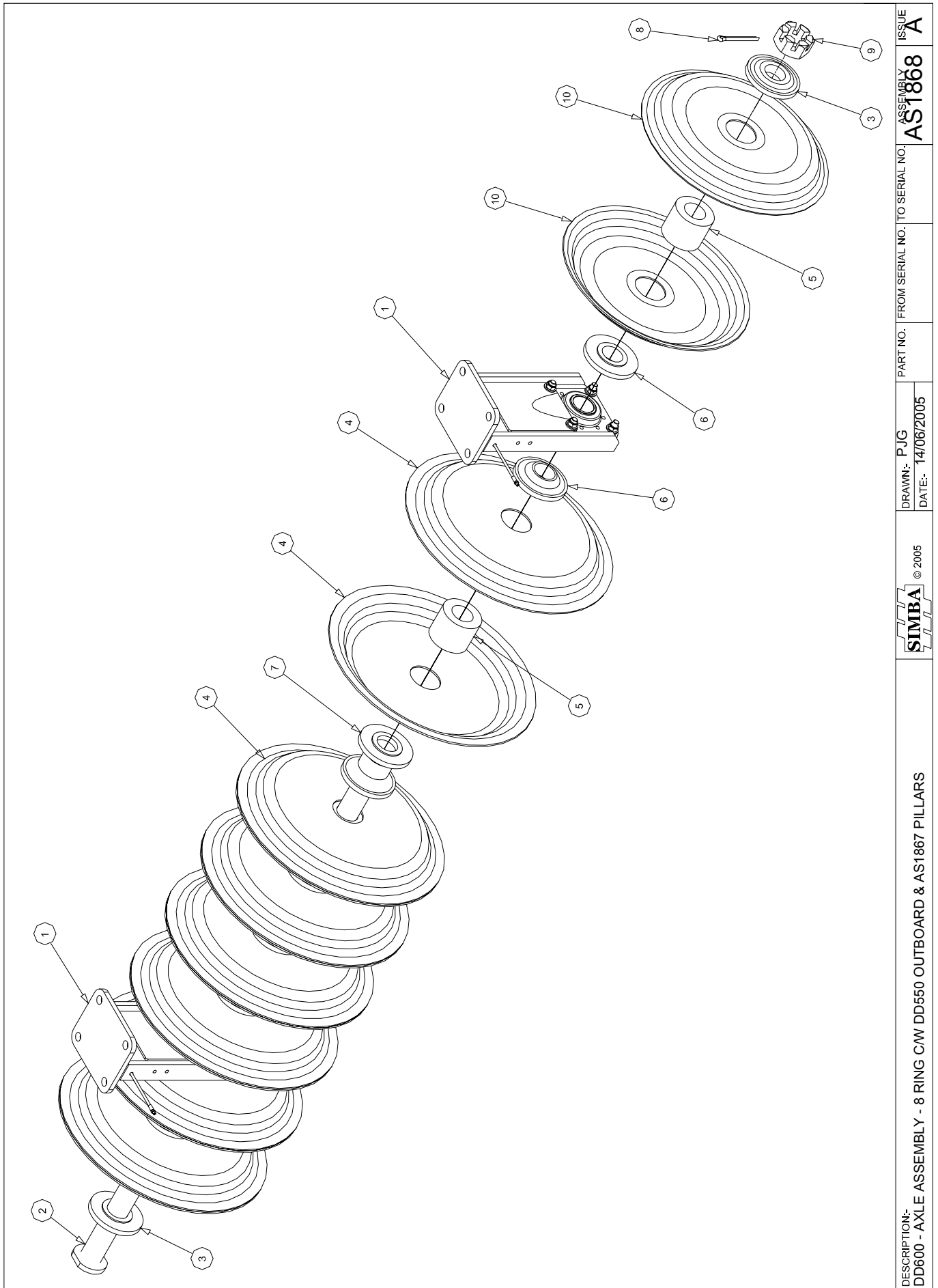
ISSUE
A

AS1885		SOLO 380 DD ROLL ASSEMBLY RH			
ITEM	PART NO	DESCRIPTION	QTY	COMMENTS	
1	AS2097	AXLE ASSEMBLY - 9 RING C/W DD550	1		
2	J220130110	ROLL BEAM - RH 380	1		
3	P00003	BOLT M12x40 GR. 8.8	12		
4	P00983	BOLT M30x150 GR. 8.8	2		
5	P02007	NUT LOCK M12	13		
6	P02008	NUT LOCK M16	12		
7	P02009	NUT LOCK M20	8		
8	P02011	NUT LOCK M30	2		
9	P02601	WASHER FLAT M12	16		
10	P02602	WASHER FLAT M16	24		
11	P02603	WASHER FLAT M20	16		
12	P02608	WASHER FLAT M30	2		
13	P02654	BOLT M20x65 GR. 8.8	8		
14	P08440	WASHER SHIM 0.5mm	4		
15	P08540	SHIM PAD	1		
16	P08607	SCRAPER PLATE DD RING SHORT	6		
17	P10029	SCRAPER 1 1/2	2		
18	P10508	SCRAPER STEM - DD 600	6		
19	P10870	BOLT M12x30 GR. 8.8	4		
20	P11494	BOLT M16x55 GR. 8.8	12		
21	P12788	SCREW M12x40 GR10.9 CSK SOCKET	1		
22					
23					
24					
25					
26					
27					
28					
29					
30					
31					
32					
33					
34					
35					
36					
37					
38					
39					
40					
41					
42					
43					
44					
45					
46					
47					
48					
49					
50					




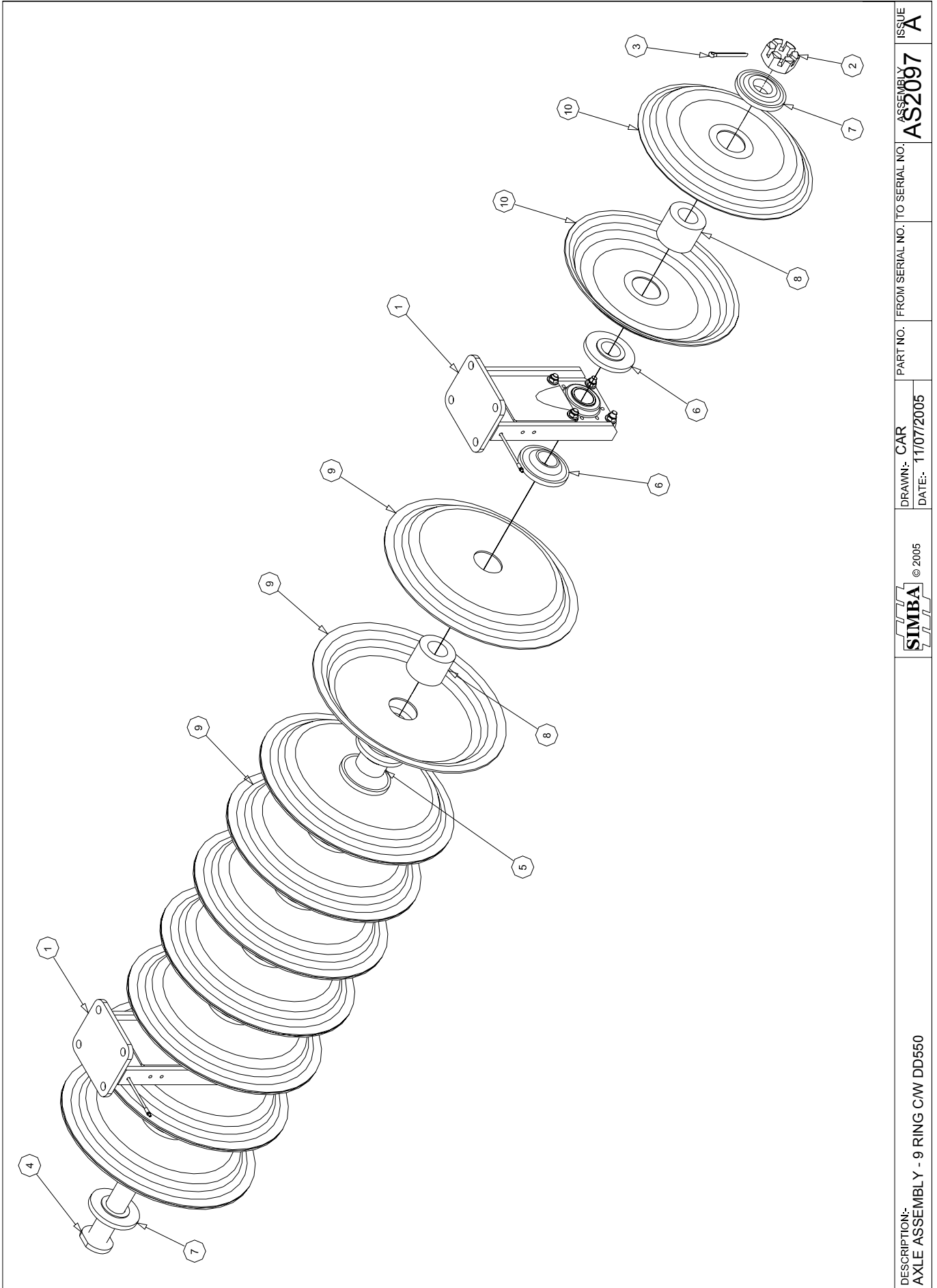
DESCRIPTION:- DD ROLL FRAME ASSEMBLY LH	MACHINE:- SOLO 380	© 2005	DRAWN:- PJG DATE:- 17/06/2005	PART NO. FROM SERIAL NO. TO SERIAL NO. 11698	ASSEMBLY AS1936	ISSUE A
---	-----------------------	--------	----------------------------------	---	---------------------------	-------------------

AS1936		SOLO 380 DD ROLL FRAME ASSEMBLY LH		
ITEM	PART NO	DESCRIPTION	QTY	COMMENTS
1	AS2097	AXLE ASSEMBLY - 9 RING C/W DD550	1	
2	J220130120	ROLL BEAM - LEFT	1	
3	P00003	BOLT M12x40 GR. 8.8	12	
4	P00983	BOLT M30x150 GR. 8.8	2	
5	P02007	NUT LOCK M12	13	
6	P02008	NUT LOCK M16	12	
7	P02009	NUT LOCK M20	8	
8	P02011	NUT LOCK M30	2	
9	P02601	WASHER FLAT M12	16	
10	P02602	WASHER FLAT M16	24	
11	P02603	WASHER FLAT M20	16	
12	P02608	WASHER FLAT M30	2	
13	P02654	BOLT M20x65 GR. 8.8	8	
14	P08440	WASHER SHIM 0.5mm	4	
15	P08540	SHIM PAD	1	
16	P08607	SCRAPER PLATE DD RING SHORT	6	
17	P10029	SCRAPER 1 1/2	2	
18	P10508	SCRAPER STEM - DD 600	6	
19	P10870	BOLT M12x30 GR. 8.8	4	
20	P11494	BOLT M16x55 GR. 8.8	12	
21	P12788	SCREW M12x40 GR10.9 CSK SOCKET	1	
22				
23				
24				
25				
26				
27				
28				
29				
30				
31				
32				
33				
34				
35				
36				
37				
38				
39				
40				
41				
42				
43				
44				
45				
46				
47				
48				
49				
50				




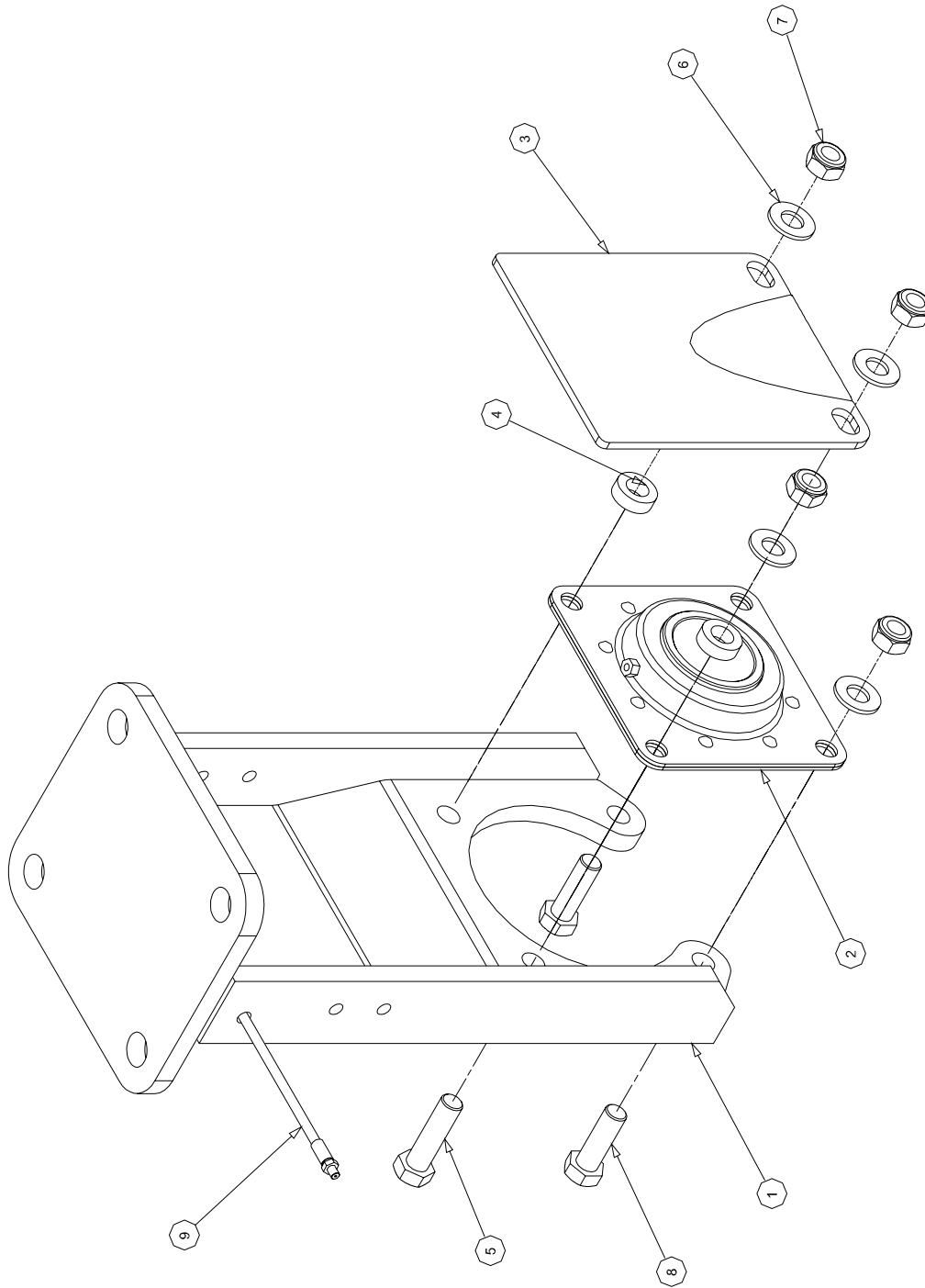
DESCRIPTION: DD600 - AXLE ASSEMBLY - 8 RING C/W DD550 OUTBOARD & AS1867 PILLARS	© 2005	DRAWN:- PJG DATE:- 14/06/2005	PART NO. FROM SERIAL NO. TO SERIAL NO.	ASSEMBLY AS1868	ISSUE A
--	--------	----------------------------------	--	---------------------------	-------------------

AS1868		DD600 - AXLE ASSEMBLY - 8 RING C/W DD550 OUTBOARD & AS1867 PILLARS		
ITEM	PART NO	DESCRIPTION	QTY	COMMENTS
1	AS1867	PILLAR ASSEMBLY DD600 (2005 - NOT INC. U-BOLTS)	2	
2	P07730	AXLE Ø60x1837	1	
3	P08190	DD 600 - NUT SPOOL	2	
4	P08192	DD 600 RING	14	
5	P08191	DD 600 - INTERNAL SPACER	8	
6	P08189	DD 600 - BEARING SPOOL	4	
7	P08188	DD 600 - SPOOL	5	
8	P02489	PIN SPLIT Ø10x100	1	
9	P01698	NUT CASTLE M60	1	
10	P12616	DD 550 RING 90 I/D	2	
11				
12				
13				
14				
15				
16				
17				
18				
19				
20				
21				
22				
23				
24				
25				
26				
27				
28				
29				
30				
31				
32				
33				
34				
35				
36				
37				
38				
39				
40				
41				
42				
43				
44				
45				



DESCRIPTION:- AXLE ASSEMBLY - 9 RING C/W DD550	© 2005	DRAWN:- CAR DATE:- 11/07/2005	PART NO.	FROM SERIAL NO. TO SERIAL NO.	ASSEMBLY AS2097	ISSUE A
---	--------	----------------------------------	----------	-------------------------------	--------------------	------------

AS2097		AXLE - 9 RING C/W DD550		
ITEM	PART NO	DESCRIPTION	QTY	COMMENTS
1	AS1867	PILLAR ASSEMBLY DD600	2	
2	P01698	NUT CASTLE M60	1	
3	P02489	PIN SPLIT Ø10x100	1	
4	P07731	AXLE Ø60x2071	1	
5	P08188	DD 600 - SPOOL	6	
6	P08189	DD 600 - BEARING SPOOL	4	
7	P08190	DD 600 - NUT SPOOL	2	
8	P08191	DD 600 - INTERNAL SPACER	9	
9	P08192	DD 600 RING	16	
10	P12616	DD 550 RING 90 I/D	2	
11				
12				
13				
14				
15				
16				
17				
18				
19				
20				
21				
22				
23				
24				
25				
26				
27				
28				
29				
30				
31				
32				
33				
34				
35				
36				
37				
38				
39				
40				
41				
42				
43				
44				
45				
46				
47				
48				
49				
50				



DESCRIPTION:
PILLAR ASSEMBLY DD600 (2005 - NOT INC. U-BOLTS)

© 2004


DRAWN: PJG
DATE: 23/04/2004

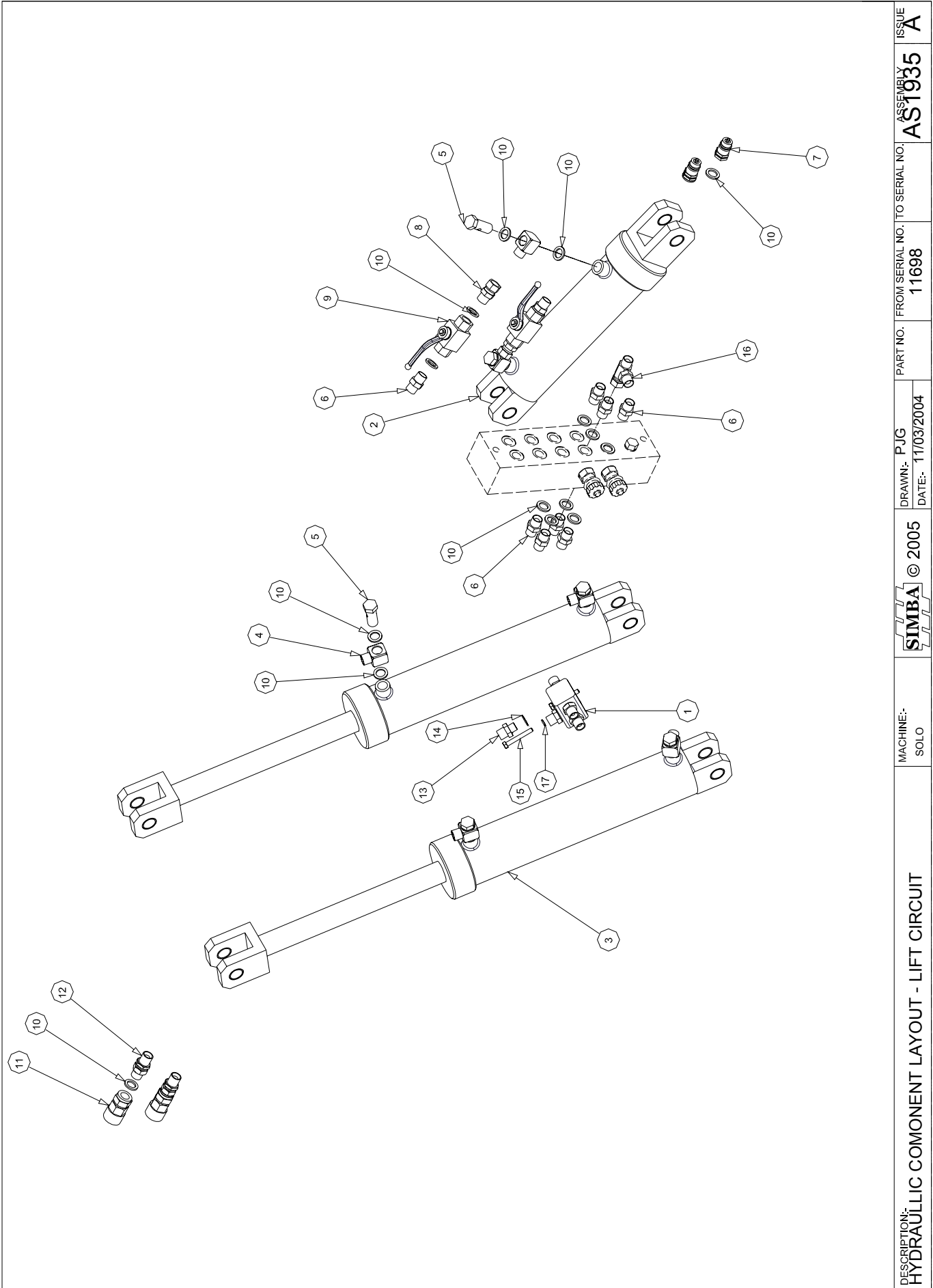
PART NO. FROM SERIAL NO. TO SERIAL NO.

ASSEMBLY
AS1867


ISSUE
A

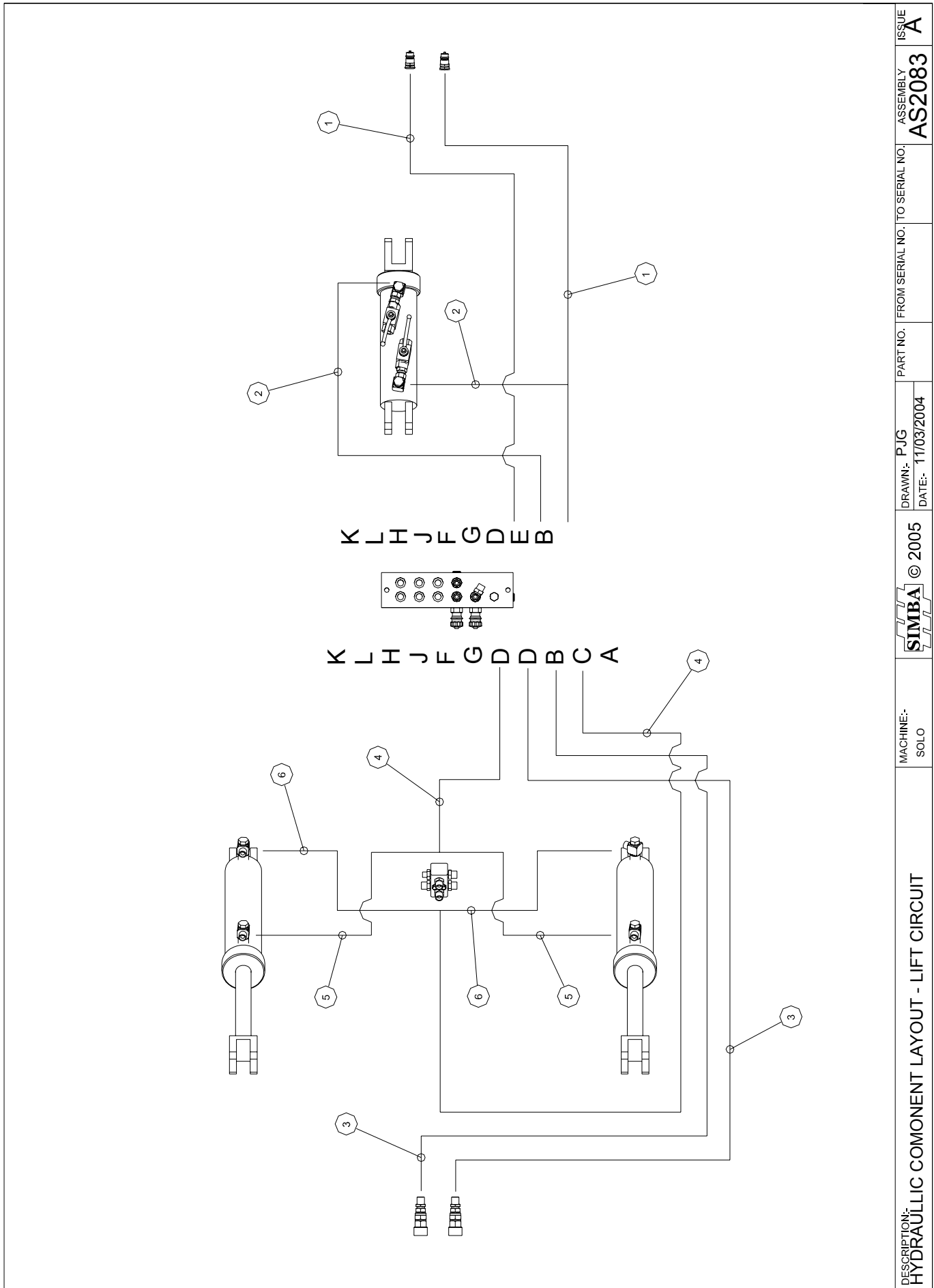


AS1867		PILLAR ASSEMBLY DD600 (2005 - NOT INC. U-BOLTS)		
ITEM	PART NO	DESCRIPTION	QTY	COMMENTS
1	P07696	PRESS ROLL PILLAR	1	
2	P05431	BEARING - PRESSED STEEL	1	
3	P08450	BEARING GUARD	1	
4	P08298	SPACER 10mm	2	
5	P00057	BOLT M16x60 GR. 8.8	2	
6	P02602	WASHER FLAT M16	4	
7	P02008	NUT LOCK M16	4	
8	P01704	BOLT M16x50 GR. 8.8	2	
9	P08276	GREASE PIPE KIT - PRESS	1	
10				
11				
12				
13				
14				
15				
16				
17				
18				
19				
20				
21				
22				
23				
24				
25				
26				
27				
28				
29				
30				
31				
32				
33				
34				
35				
36				
37				
38				
39				
40				
41				
42				
43				
44				
45				
46				
47				
48				
49				
50				




DESCRIPTION: HYDRAÛLLIC COMONENT LAYOUT - LIFT CIRCUIT	MACHINE: SOLO	© 2005	DRAWN:- PJG DATE:- 11/03/2004	PART NO. 11698	FROM SERIAL NO. TO SERIAL NO. 11698	ASSEMBLY AS1935	ISSUE A

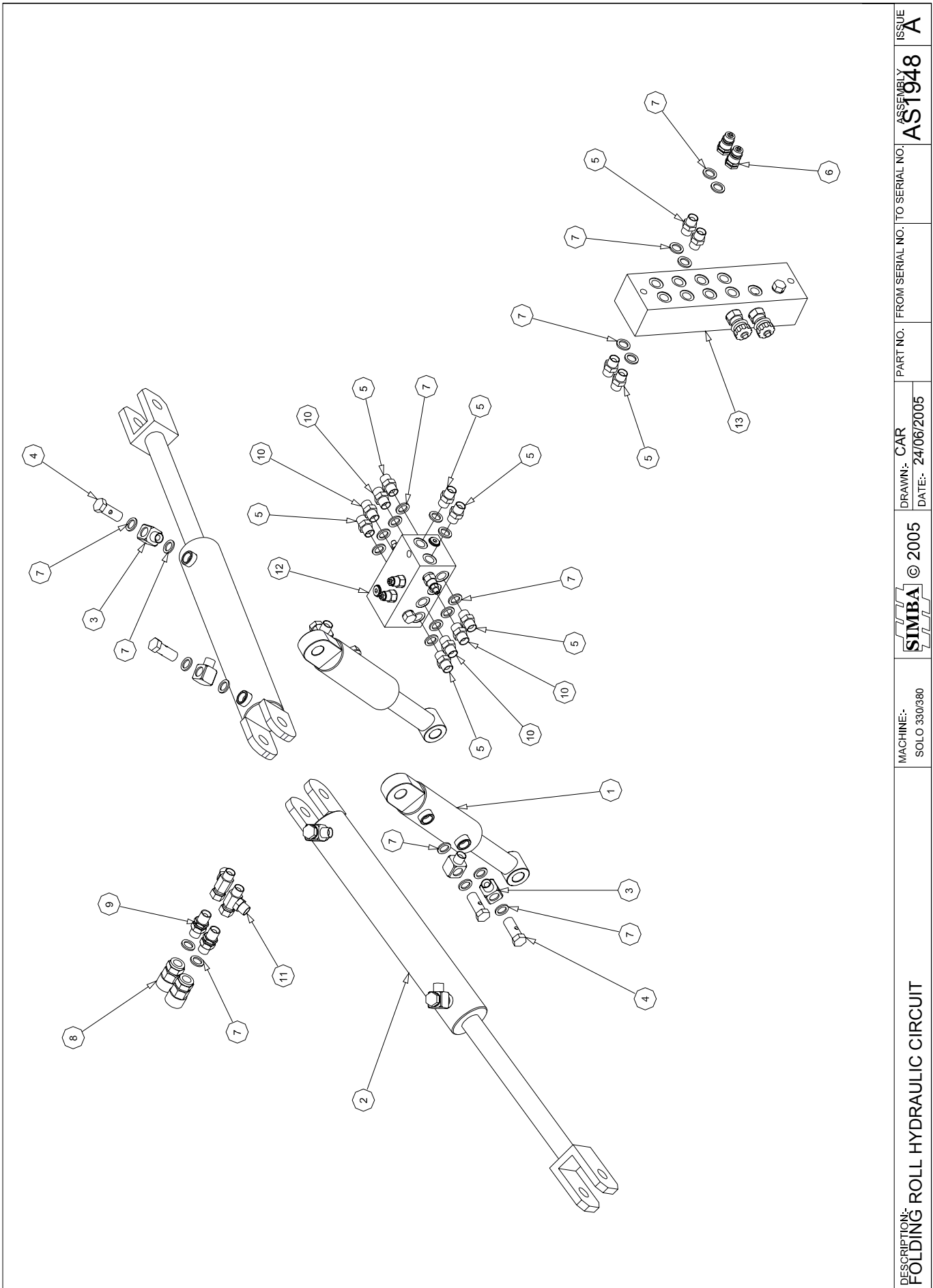
AS1935		SOLO HYDRAULIC COMPONENT LAYOUT - LIFT CIRCUIT		
ITEM	PART NO	DESCRIPTION	QTY	COMMENTS
1	J225601040	CONNECTOR BLOCK	1	
2	J931030500	CYLINDER - Ø90x229 - 45	1	520-749
3	J931030600	CYLINDER - Ø90x400 - 45	2	
4	P00200	BANJO BLOCK ½" BSP	6	
5	P00201	BANJO BOLT ½" BSP	6	
6	P00203	ADAPTOR MALE-MALE ½" BSP	9	
7	P00205	QUICK RELEASE MALE - ½" BSP	2	
8	P00206	ADAPTOR MALE-FEM ½" BSP	2	
9	P00774	SHUT OFF TAP ½" BSP	2	
10	P02263	DOWTY SEAL ½" BSP	27	
11	P02730	QUICK RELEASE FEM. ½" BSP	2	
12	P02735	BULKHEAD ½" BSP	2	
13	P03686	ADAPTOR MALE - MALE ½"-3/8" BSP	6	
14	P03687	DOWTY SEAL 3/8" BSP	6	
15	P04753	BOLT M8x60 GR. 8.8	2	
16	P06216	ADAPTOR T SFOR ½" BSP	1	
17	P08817	WASHER SPRING M8	2	
18	P11267	MANIFOLD - XX30035	1	
19				
20				
21				
22				
23				
24				
25				
26				
27				
28				
29				
30				
31				
32				
33				
34				
35				
36				
37				
38				
39				
40				
41				
42				
43				
44				
45				
46				
47				
48				
49				
50				




DESCRIPTION: HYDRAÛLLIC COMPONENT LAYOUT - LIFT CIRCUIT	MACHINE: SOLO	© 2005	DRAWN:- PJG DATE:- 11/03/2004	PART NO.	FROM SERIAL NO.	TO SERIAL NO.	ASSEMBLY AS2083	ISSUE A

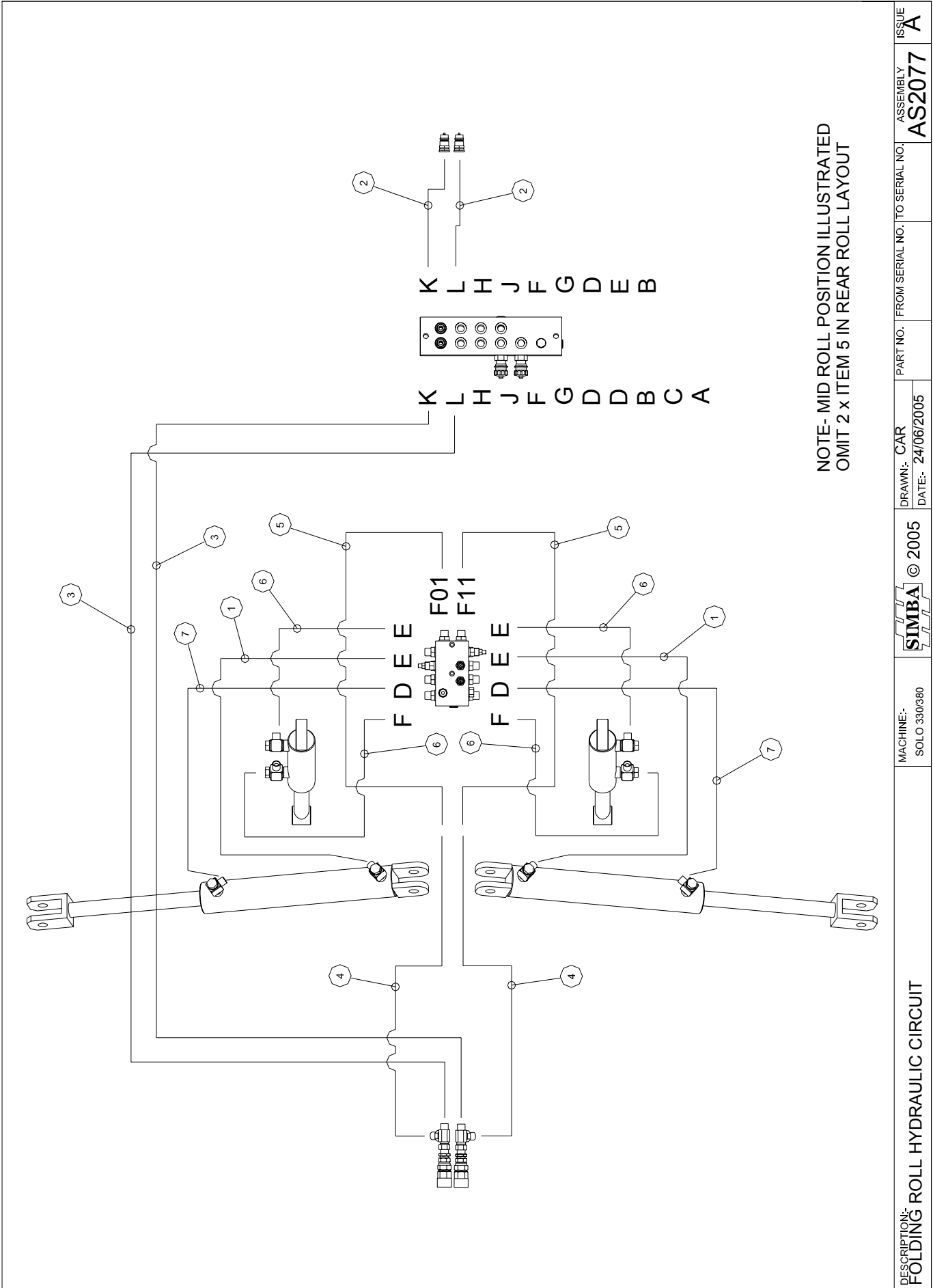


AS2083		LIFT HYDRAULIC CIRCUIT		
ITEM	PART NO	DESCRIPTION	QTY	COMMENTS
1	P13617	HA 3/8" x 3050	2	MALE ONE END
2	P13646	HA 3/8" x 600	2	90° SWEEP ONE END
3	P13638	HA 3/8"x7080	2	
4	P13647	HA 3/8" x 3550	2	90° SWEEP ONE END
5	P13648	HA 3/8"x 700	2	
6	P13649	HA 3/8"x 550	2	
7				
8				
9				
10				
11				
12				
13				
14				
15				
16				
17				
18				
19				
20				
21				
22				
23				
24				
25				
26				
27				
28				
29				
30				
31				
32				
33				
34				
35				
36				
37				
38				
39				
40				
41				
42				
43				
44				
45				
46				
47				
48				
49				
50				



DESCRIPTION: FOLDING ROLL HYDRAULIC CIRCUIT	MACHINE:- SOLO 330/380	© 2005 DRAWN:- CAR DATE:- 24/06/2005	PART NO.	FROM SERIAL NO.	TO SERIAL NO.	ASSEMBLY AS1948	ISSUE A


AS1948		FOLDING ROLL HYDRAULIC CIRCUIT		
ITEM	PART NO	DESCRIPTION	QTY	COMMENTS
1	J931030300	CYLINDER Ø63x100	2	P08606
2	J931030400	CYLINDER Ø75x400	2	P12790
3	P00200	BANJO BLOCK ½" BSP	8	
4	P00201	BANJO BOLT ½" BSP	8	
5	P00203	ADAPTOR MALE-MALE ½" BSP	10	
6	P00205	QUICK RELEASE MALE - ½" BSP	2	
7	P02263	DOWTY SEAL ½" BSP	34	
8	P02730	QUICK RELEASE FEM. ½" BSP	2	
9	P02735	BULKHEAD ½" BSP	2	
10	P03236	ADAPTOR MALE-MALE ½" BSP	4	
11	P06216	ADAPTOR T SFOR ½" BSP	2	
12	P11064	SOLO MANIFOLD BLOCK - ROLL	1	
13	P11267	MANIFOLD - XX30035	1	
14				
15				
16				
17				
18				
19				
20				
21				
22				
23				
24				
25				
26				
27				
28				
29				
30				
31				
32				
33				
34				
35				
36				
37				
38				
39				
40				
41				
42				
43				
44				
45				
46				
47				
48				
49				
50				

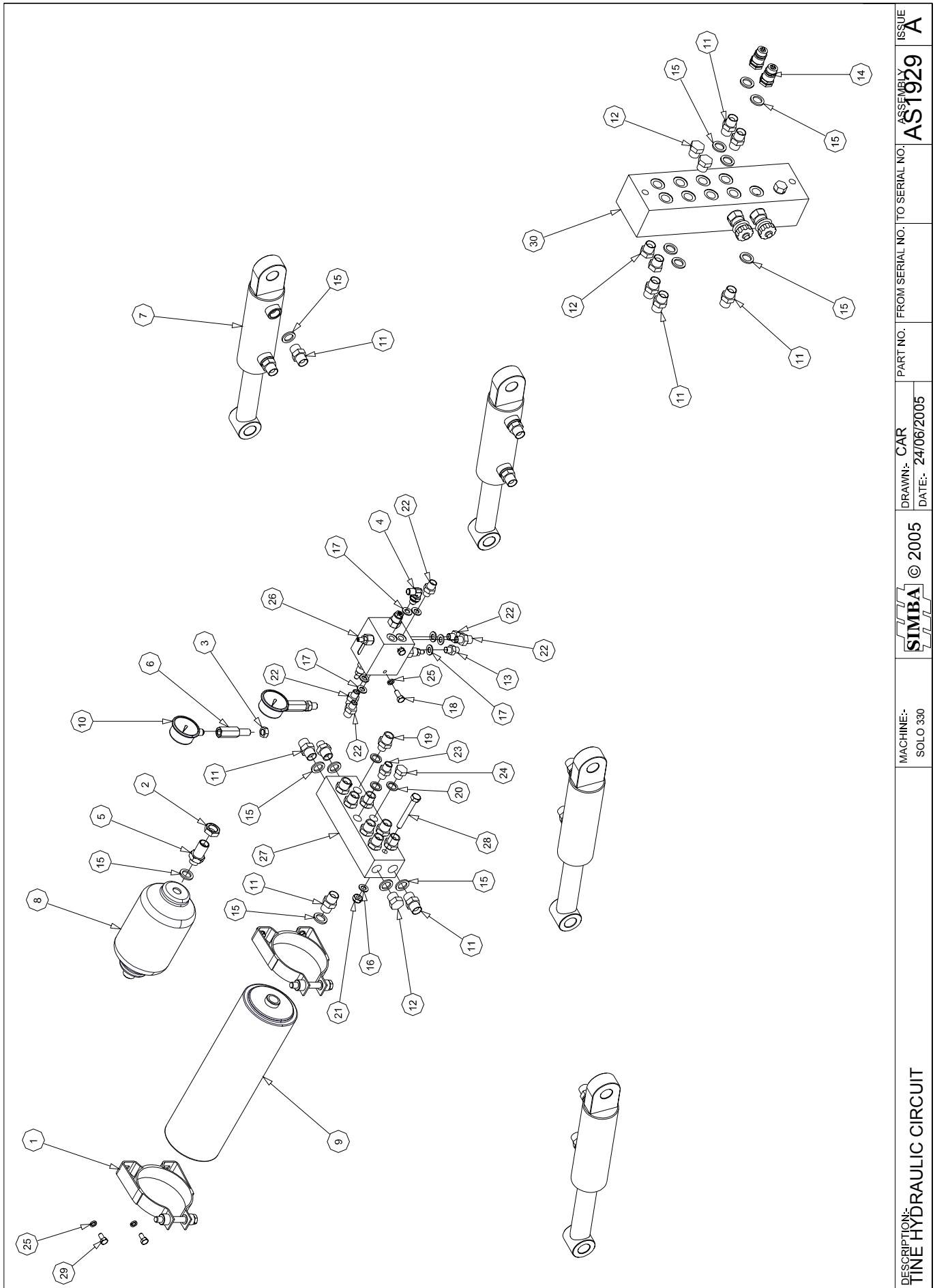


NOTE- MID ROLL POSITION ILLUSTRATED
OMIT 2 x ITEM 5 IN REAR ROLL LAYOUT


DESCRIPTION: FOLDING ROLL HYDRAULIC CIRCUIT	MACHINE- SOLO 330/380	© 2005	DRAWN- CAR DATE- 24/06/2005	PART NO.	FROM SERIAL NO. TO SERIAL NO.	ASSEMBLY AS2077	ISSUE A

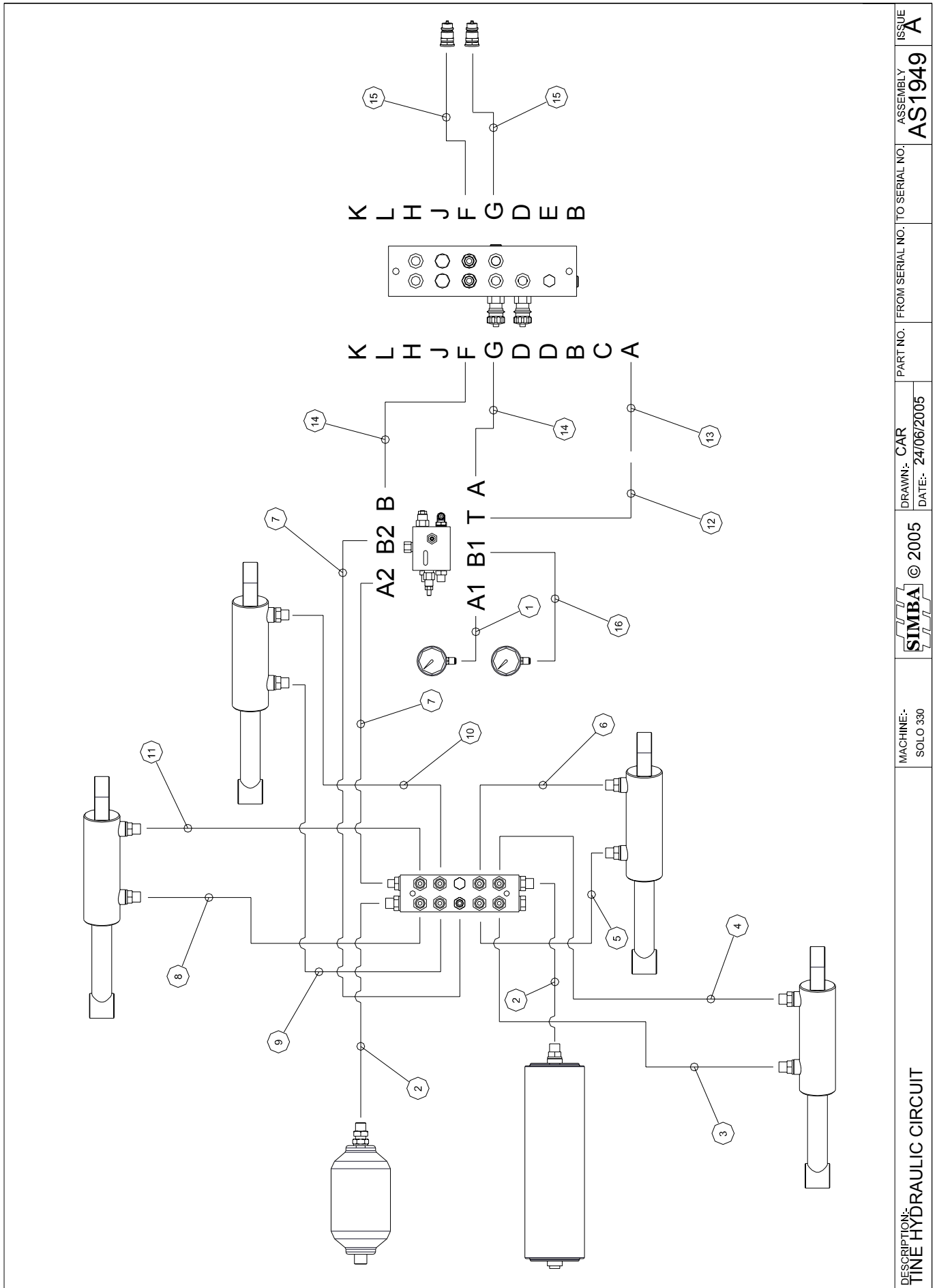


AS2077		FOLDING ROLL HYD. CIRCUIT		
ITEM	PART NO	DESCRIPTION	QTY	COMMENTS
1	P13615	HA 3/8" x 750	2	
2	P13617	HA 3/8" x 3050	2	MALE ONE END
3	P13638	HA 3/8" x 7080	2	
4	P13639	HA 3/8" x 1650	2	90° SWEEP ONE END
5	P13640	HA 3/8" x 1450	2	MALE ONE END
6	P13641	HA 3/8" x 480	4	
7	P13642	HA 3/8" x 880	2	
8				
9				
10				
11				
12				
13				
14				
15				
16				
17				
18				
19				
20				
21				
22				
23				
24				
25				
26				
27				
28				
29				
30				
31				
32				
33				
34				
35				
36				
37				
38				
39				
40				
41				
42				
43				
44				
45				
46				
47				
48				
49				
50				



DESCRIPTION: TINE HYDRAULIC CIRCUIT	MACHINE- SOLO 330	© 2005	DRAWN- CAR	PART NO.	FROM SERIAL NO. TO SERIAL NO.	ASSEMBLY AS1929	ISSUE A
			DATE- 24/06/2005				

AS1929		TINE CIRCUIT		
ITEM	PART NO	DESCRIPTION	QTY	COMMENTS
1	J915080010	SADDLE CLAMP	2	
2	J930519121	BULKHEAD NUT	1	
3	J930519148	BULKHEAD NUT 1/4"	2	
4	J930609221	ELBOW 1/4" M-M	1	
5	J930621217	M-M 1/2" BSP - M18	1	
6	J930815100	GAUGE FITTING 1/4" BSP	2	
7	J931030300	CYLINDER Ø63x100	4	P08606
8	J939020031	ACCUMULATOR - 1.4L BLADDER	1	
9	J939020034	ACCUMULATOR - 2.0L PISTON 80bar	1	
10	J939020300	PRESSURE GAUGE 250bar	2	
11	P00203	ADAPTOR MALE-MALE 1/2" BSP	16	
12	P06219	BLANKING PLUG 1/2" BSP	5	
13	P00203	ADAPTOR MALE-MALE 1/4" BSP	1	
14	P00205	QUICK RELEASE MALE - 1/2" BSP	2	
15	P02263	DOWTY SEAL 1/2" BSP	21	
16	P02600	WASHER FLAT M10	2	
17	P02741	DOWTY SEAL 1/4" BSP	7	
18	P02789	BOLT M8x20 GR. 8.8	2	
19	P03686	ADAPTOR MALE - MALE 1/2"-3/8" BSP	9	
20	P03687	DOWTY SEAL 3/8" BSP	10	
21	P05534	NUT LOCK M10	2	
22	P05539	ADAPTOR MALE - MALE 1/4"-3/8" BSP	5	
23	P06641	ADAPTOR MALE - MALE 3/8"-3/8" BSP	1	
24	P07977	BLANKING PLUG 3/8" BSP	1	
25	P08817	WASHER SPRING M8	6	
26	P09078	MANIFOLD - TINE CONTROL	1	
27	P09079	MANIFOLD DISTRIBUTION	1	
28	P09226	BOLT M10x80 GR. 8.8	2	
29	P10342	BOLT M8x16 GR. 8.8	4	
30	P11267	MANIFOLD - XX30035	1	
31				
32				
33				
34				
35				
36				
37				
38				
39				
40				
41				
42				
43				
44				
45				
46				
47				
48				
49				
50				



DESCRIPTION:
TINE HYDRAULIC CIRCUIT

MACHINE-
SOLO 330

SIMBA © 2005


DRAWN- CAR
DATE- 24/06/2005

PART NO.
FROM SERIAL NO. TO SERIAL NO.

ASSEMBLY
AS1949

ISSUE
A



AS1949		TINE HYDRAULIC CIRCUIT		
ITEM	PART NO	DESCRIPTION	QTY	COMMENTS
1	P13619	HA 1/4" x 375mm	1	90° SWEEP ONE END
2	P13604	HA 1/2" x 400mm	2	90° SWEEP ONE END
3	P13605	HA 1/2" 1550mm	1	
4	P13606	HA 1/2" x 1400mm	1	
5	P13607	HA 1/2" x 550mm	1	
6	P13608	HA 1/2" x 450mm	1	
7	P13609	HA 3/8" x 330mm	2	90° SWEEP ONE END
8	P13610	HA 1/2" x 1850mm	1	
9	P13611	HA 1/2" x 650mm	1	
10	P13612	HA 1/2" x 750mm	1	
11	P13613	HA 1/2" x 1700	1	
12	P13614	HA 3/8" x 1450	1	MALE ONE END
13	P13615	HA 3/8" x 750	1	
14	P13616	HA 3/8" x 2150	2	90° SWEEP ONE END
15	P13617	HA 3/8" x 3050	2	MALE ONE END
16	P13618	HA 1/4" x 225	1	90° SWEEP ENDS
17				
18				
19				
20				
21				
22				
23				
24				
25				
26				
27				
28				
29				
30				
31				
32				
33				
34				
35				
36				
37				
38				
39				
40				
41				
42				
43				
44				
45				
46				
47				
48				
49				
50				

